



96K SERIES
BI-PARTING SLIDING DOORS
SURFACE APPLIED
NARROW STILE
WITH THRESHOLD

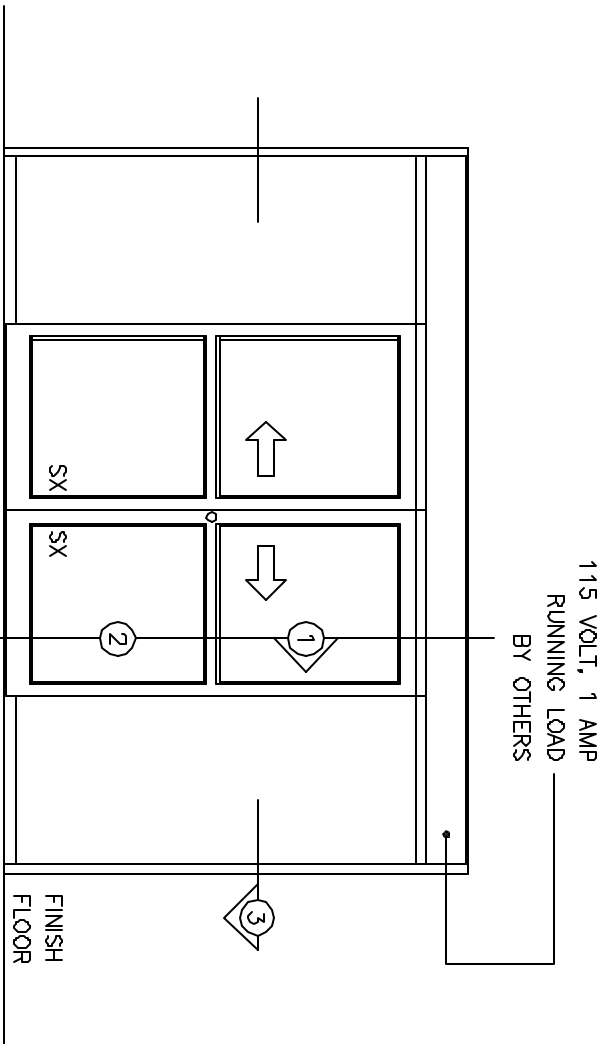
P-SX-SX-P

7350 West Wilson Ave.
Harwood Heights, IL 60706-4786

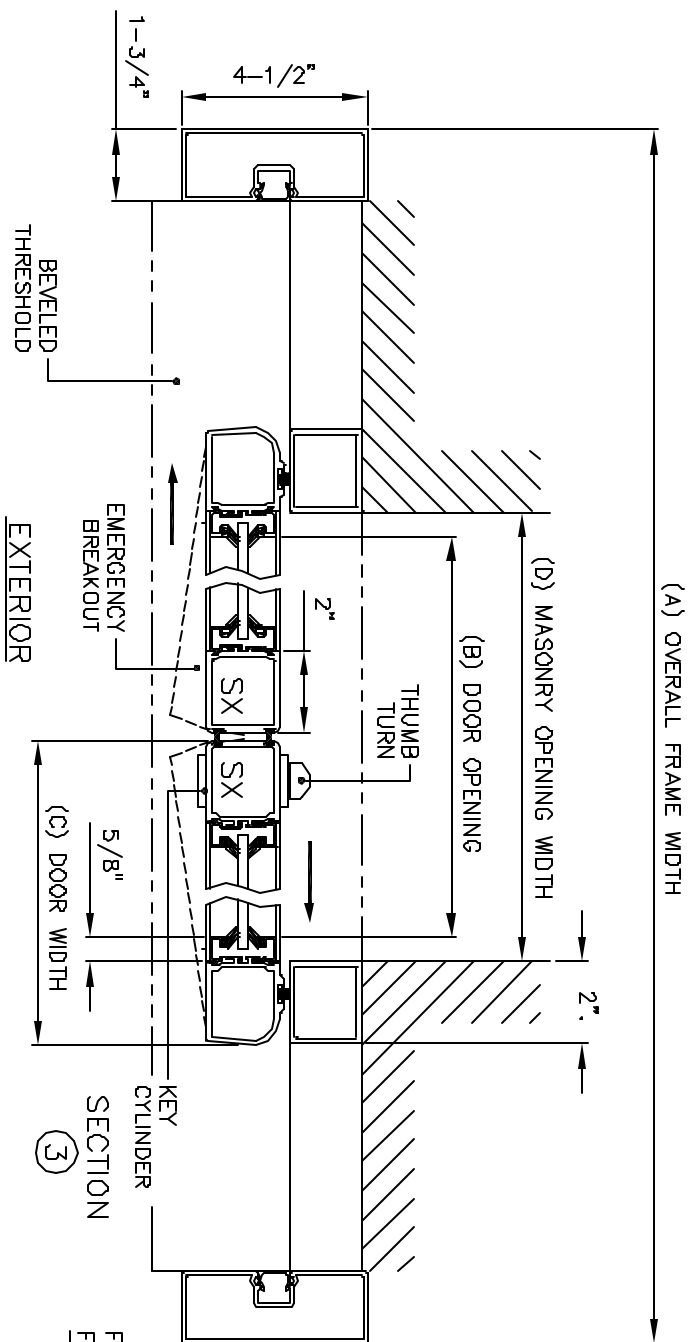
Phone: (800) 543-4635
Fax: (708) 867-0291

www.doromatic.com

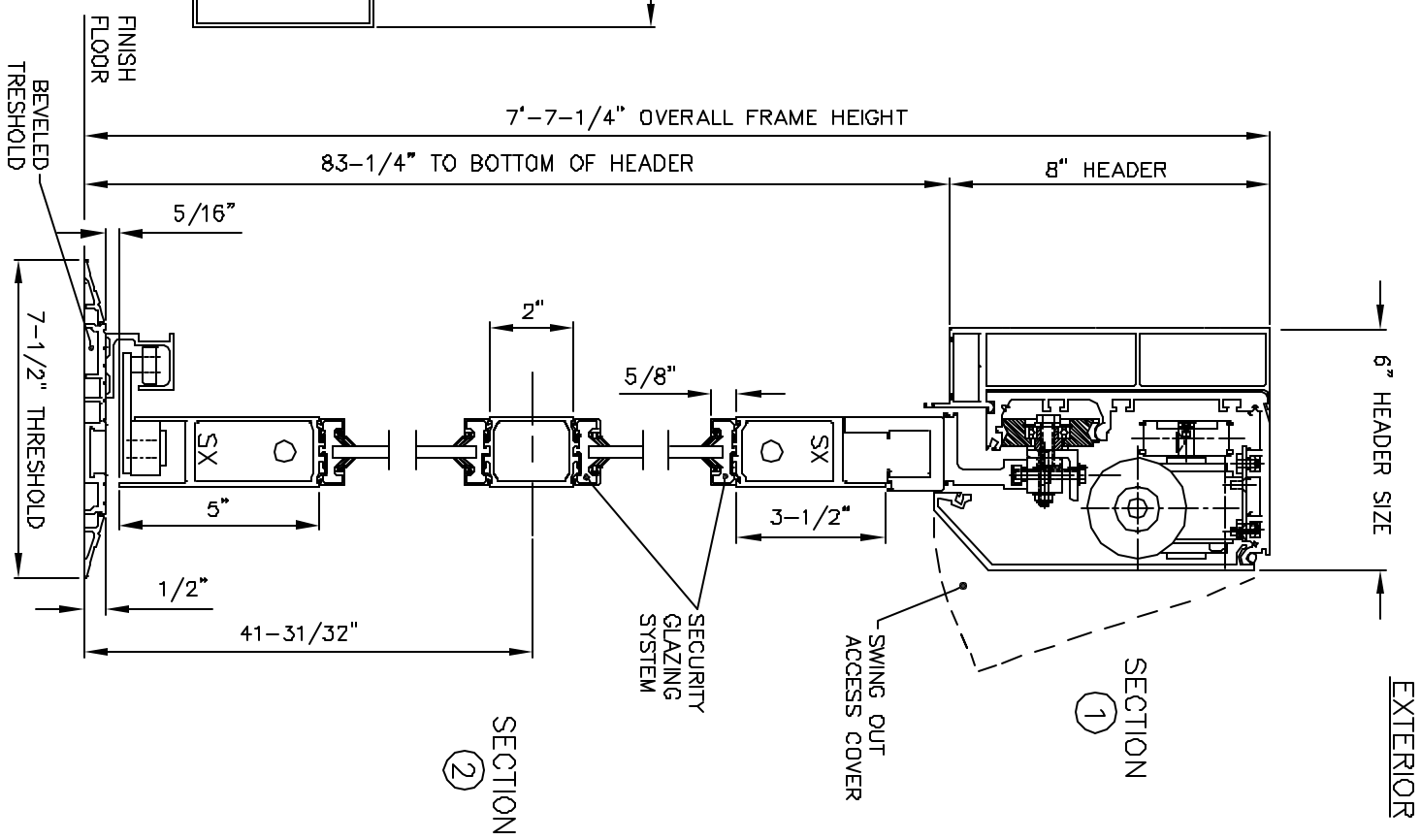
89509REV B
JUNE 18, 2003 ECN 00966



EXTERIOR ELEVATION



(A) OVERALL FRAME WIDTH



SECTION (2)

SECTION (1)

EXTERIOR

EXTERIOR

NOTE:
STANDARD PACKAGE:
OPERATOR, NARROW STILE DOORS, FRAMES, 2" MUNTINS,
WEATHERSTRIPPING, EMERGENCY BREAKOUT, STANDARD
LOCK CYLINDER WITH THUMBTURN, 4-POSITION SWITCH,
2-POSITION KEYSWITCH, MOTION SENSOR, PRESENCE SENSOR,
DOOR HOLDING BEAMS, ANTI-JAR WHEELS, 1/4" GLAZING SYSTEM,
AND ONE PIECE 1/2" X 7-1/2" THRESHOLD - JAMB TO JAMB.

STANDARD FINISH:
CLEAR ANODIZED - US2B
DARK BRONZE ANODIZED - DC13
SPECIAL COLORS ARE AVAILABLE.

* MAX. GLASS THICKNESS IS 1".
(GLASS STOP HEIGHT - 1-1/8").

* ALL WRITTEN DIMENSIONS ARE TO TAKE
PREFERENCE OVER SCALED DIMENSIONS.

* SIZES LARGER THAN 14'-0" - CONSULT WITH FACTORY.

* ALL ANSI DECALS ARE PROVIDED.

OVERALL FRAME WIDTH (A)	DOOR OPENING (B)	DOOR WIDTH (C)	MASONRY OPENING (D)
8'-3 1/2" (MIN.)	42"	25"	46"
10'-0"	48"	30"	56"
12'-0"	60"	36"	68"
14'-0" (MAX.)	72"	42"	78"