

96K SERIES
BI-PARTING SLIDING DOORS
SURFACE APPLIED
NARROW STILE
WITHOUT THRESHOLD

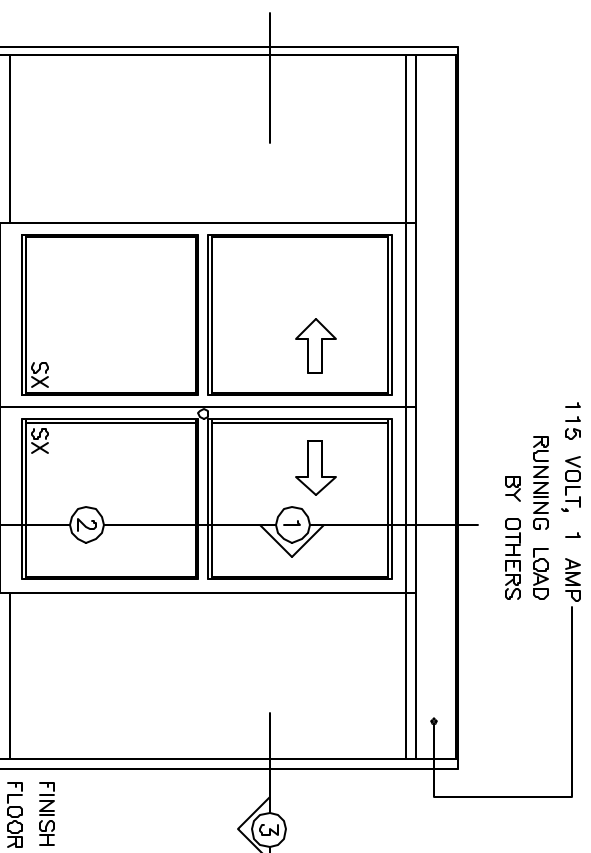
P-SX-SX-P

7350 West Wilson Ave.
Harwood Heights, IL 60706-4786

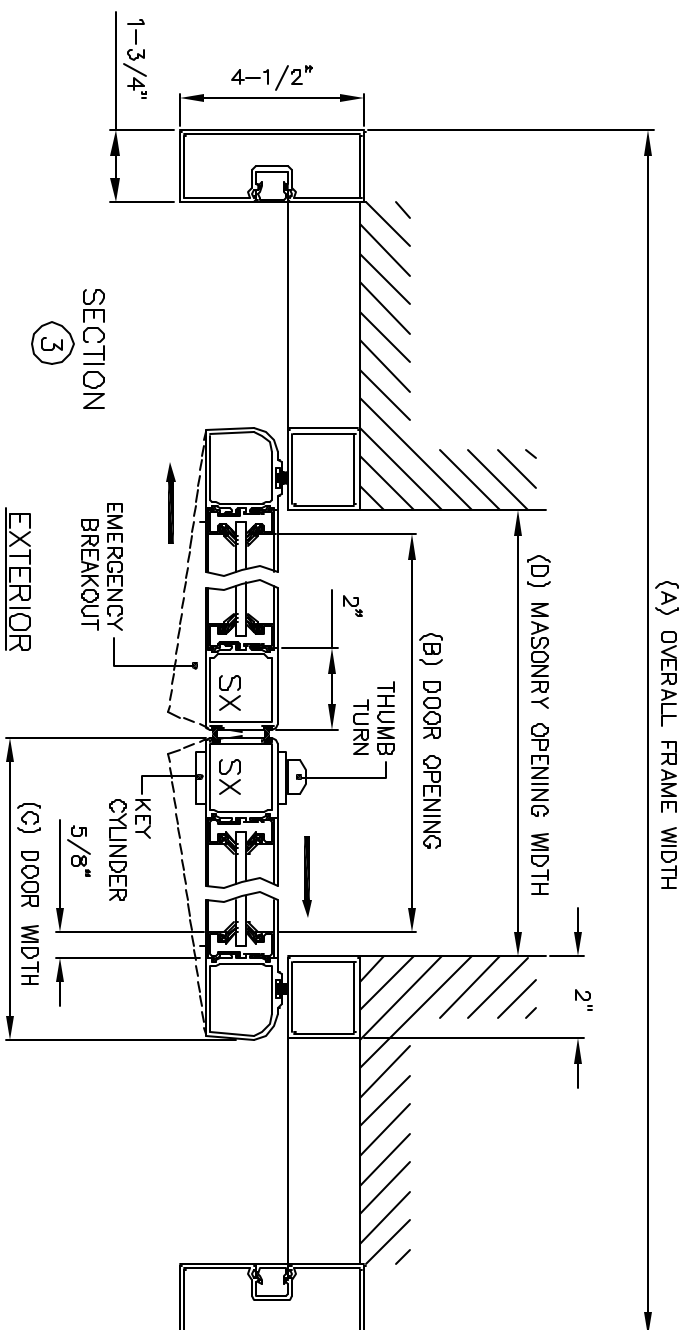
Phone: (800) 543-4635
Fax: (708) 867-0291

www.doromatic.com

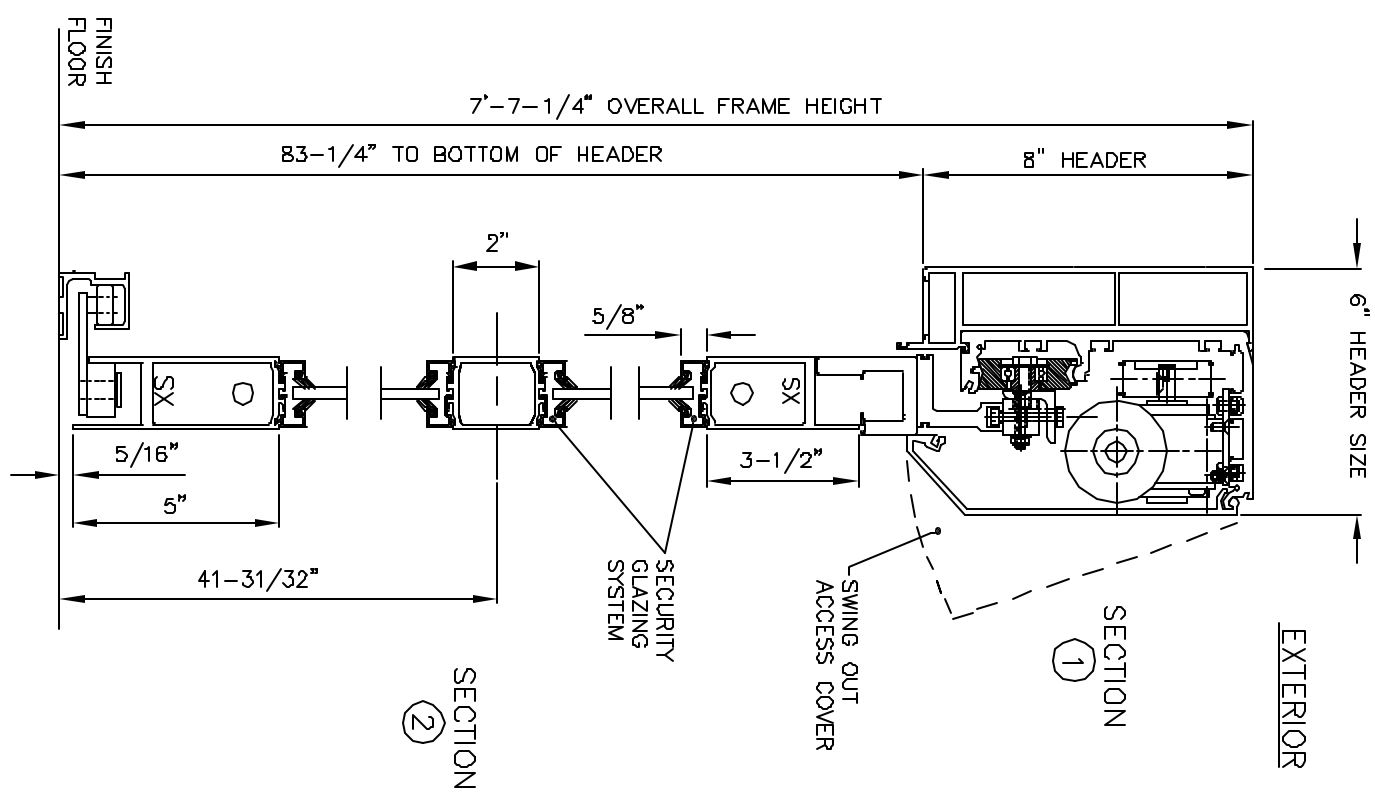
89512REV B
JUNE 18, 2003 ECN 00966



EXTERIOR ELEVATION



SECTION 3



SECTION 1

SECTION 2

(A) OVERALL FRAME WIDTH

(D) MASONRY OPENING WIDTH

(B) DOOR OPENING

NOTE:
STANDARD PACKAGE:
OPERATOR, NARROW STILE DOORS, FRAMES, 2" MUNTINS
WEATHERSTRIPPING, EMERGENCY BREAKOUT, STANDARD LOCK
CYLINDER WITH THUMBTURN, 4-POSITION SWITCH, 2-POSITION
KEYSWITCH, MOTION SENSOR, PRESENCE SENSOR, DOOR HOLDING
BEAMS, ANTI-JAR WHEELS, AND 1/4" GLAZING SYSTEM.
STANDARD FINISH:
CLEAR ANODIZED - US28
DARK BRONZE ANODIZED - DC13
SPECIAL COLORS ARE AVAILABLE.
* MAX. GLASS THICKNESS IS 1".
(GLASS STOP HEIGHT = 1-1/8")
* ALL WRITTEN DIMENSIONS ARE TO TAKE
PREFERENCE OVER SCALED DIMENSIONS.
* SIZES LARGER THAN 14'-0" - CONSULT WITH FACTORY.
* ALL ANSI DECALS ARE PROVIDED.

OVERALL FRAME WIDTH (A)	DOOR OPENING (B)	DOOR WIDTH (C)	MASONRY OPENING (D)
8'-3 1/2" (MIN.)	42"	25"	46"
10'-0"	48"	30"	56"
12'-0"	60"	36"	68"
14'-0" (MAX.)	72"	42"	78"