

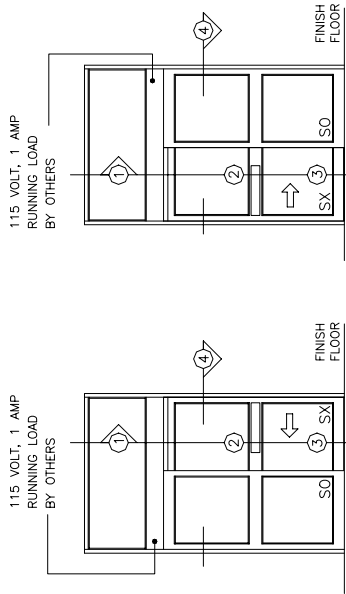
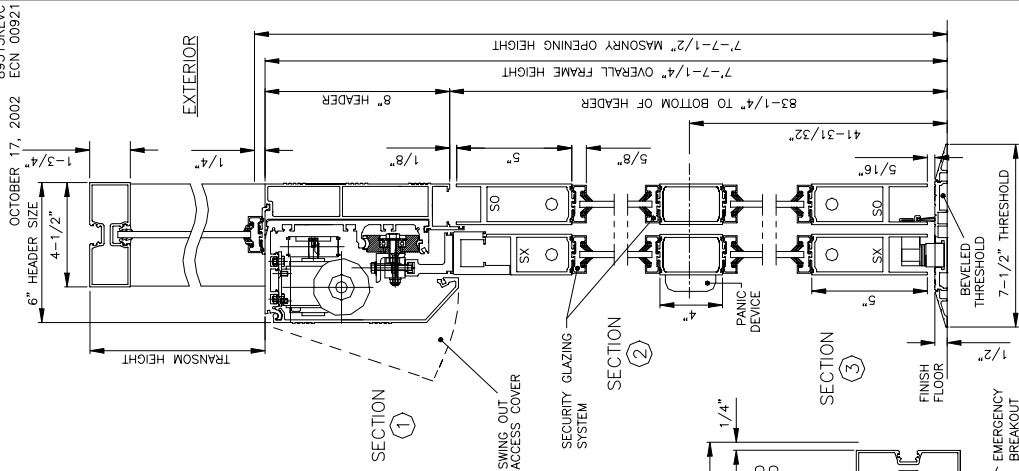


**96K SERIES**  
SINGLE SLIDING DOORS  
MID-PANEL PANIC EXIT DEVICE  
FULL BREAKOUT  
NARROW STILE  
WITH THRESHOLD

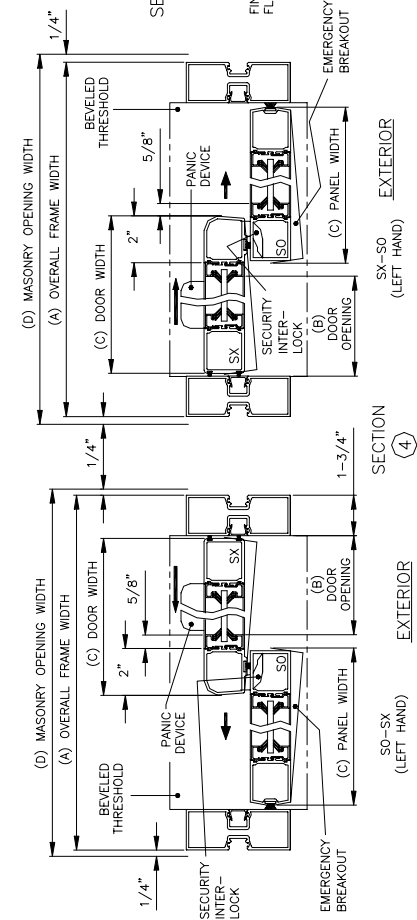
SO-SX AND SX-SO

7350 West Wilson Ave.  
Harwood Heights, IL 60706-4786

Phone: (800) 543-4635  
Fax: (708) 867-0291  
www.doromatic.com



EXTERIOR ELEVATIONS



OVERALL FRAME WIDTH ( A )	DOOR OPENING ( B )	DOOR/PANEL WIDTH ( C )	MASONRY OPENING WIDTH ( D )
7'-0" (MIN.)	36"	41-1/8"	7'-0 1/2"
8'-0"	42"	47-1/8"	8'-0 1/2"
8'-6"	44"	50-1/8"	8'-6 1/2"
9'-0" (MAX.)	48"	53-1/8"	9'-0 1/2"

**NOTE:**

STANDARD PACKAGE: STANDARD STILE DOORS & SIDELITES, FRAMES, OPERATOR, NARROW STILE DOORS & SIDELITES, WEATHERSTRIPPING, EMERGENCY 4" MUNTINS IN "SO" SIDELITES, MID-PANEL PANIC EXIT DEVICE IN BREAKOUT ON "SO" PANEL, MID-PANEL PANIC EXIT DEVICE IN 4" MUNTIN ON "SX" DOORS, HYDRAULIC CLOSERS IN "SX" DOORS AND "SO" SIDELITES, FAIL SECURE ELECTRIC LOCK, 4-POSITION SWITCH, 2-POSITION KEYSWITCH, MOTION SENSOR, PRESENCE SENSOR, DOOR HOLDING BEAMS, ANTI-JAR WHEELS, 1/4" GLAZING SYSTEM, AND ONE PIECE 1/2" X 7-1/2" THRESHOLD - JAMB TO JAMB.

STANDARD FINISH: US28 CLEAR ANODIZED ALUMINUM - DC13 SPECIAL COLORS ARE AVAILABLE. PANIC DEVICES ARE AVAILABLE IN STANDARD FINISH, DC35, AND CHAMPAGNE.

- \* DOOR WIDTHS OF 42" OR GREATER REQUIRE A 24" PANIC DEVICE. (LESS THAN 42" BUT GREATER THAN 41-1/8" REQUIRES 21" PANIC DEVICE).
- \* MAX. GLASS THICKNESS IS 5/8" ON "SO" SIDELITES, AND 1" ON "SX" DOORS (GLASS STOP HEIGHT = 1-1/8").
- \* TRANSOM OPTIONAL MAX. HEIGHT 6'-0" TOP OF HEADER TO TOP OF TRANSOM. CONSULT FACTORY FOR LARGER SIZES.
- \* TRANSOM FLUSH GLAZING OTHER THAN 1/4" GLASS HAS SURFACE APPLIED GLASS STOPS.
- \* ALL WRITTEN DIMENSIONS ARE TO TAKE PREFERENCE OVER SCALED DIMENSIONS.
- \* SIZES NOT LISTED BELOW - CONSULT WITH FACTORY.
- \* ALL ANSI DECALS ARE PROVIDED.