



96K SERIES
 SINGLE SLIDING DOOR
 PADDLE PANIC EXIT DEVICE
 FIXED SIDELITE
 NARROW STILE
 WITHOUT THRESHOLD

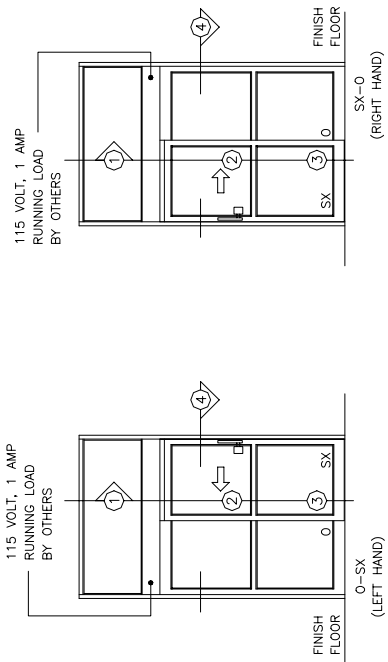
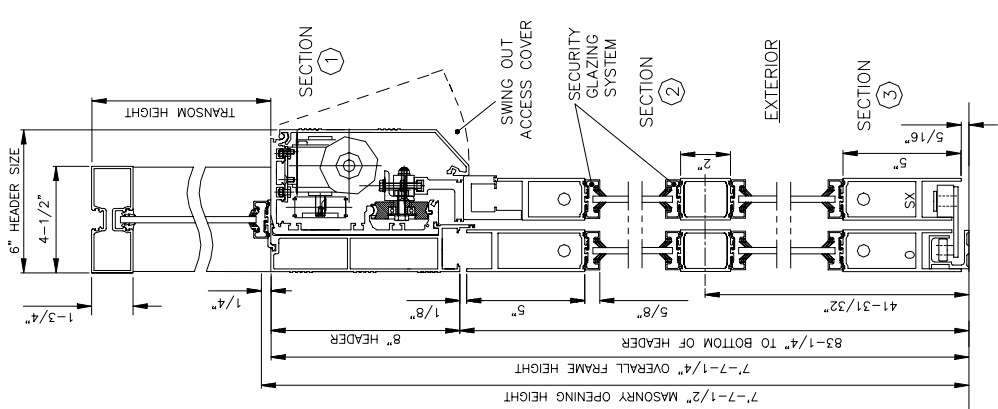
7350 West Wilson Ave.
 Harwood Heights, IL 60706-4786

Phone: (800) 543-4635
 Fax: (708) 867-0291

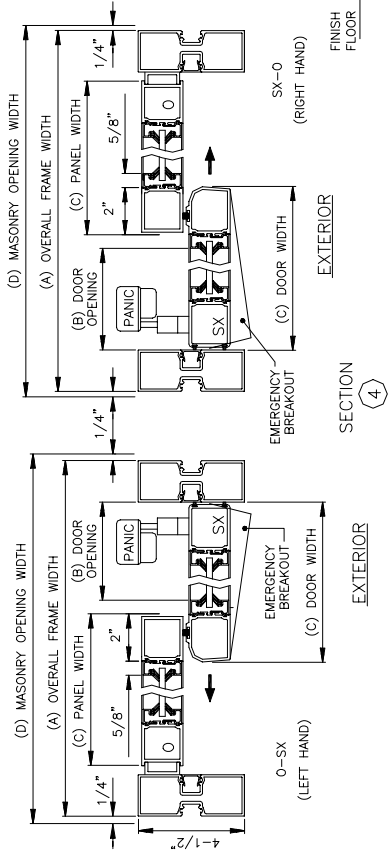
www.doromatic.com

O-SX AND SX-O

89520REV/B
 OCTOBER 17, 2002
 ECN 00921



EXTERIOR ELEVATIONS



NOTE:

- STANDARD PACKAGE: STANDARD STILE DOOR & SIDELITE, FRAMES, OPERATOR, NARROW STILE DOOR, WEATHERSTRIPPING, PADDLE PANIC EXIT DEVICE ON LEADING STILE OF "SX" DOOR, HYDRAULIC CLOSERS IN "SX" DOORS, FAIL SECURE ELECTRIC LOCK, 4-POSITION SWITCH, 2-POSITION KEYSWITCH, MOTION SENSOR, PRESENCE SENSOR, DOOR HOLDING BEAMS, ANTI-JAR WHEELS, AND 1/4" GLAZING SYSTEM.
- STANDARD FINISH: CLEAR ANODIZED - US28
 DARK BRONZE ANODIZED - DC13
 SPECIAL COLORS ARE AVAILABLE.
- * PANIC DEVICE MUST BE APPROVED BY CODE OFFICIAL.
- * MAX. GLASS THICKNESS IS 1".
 (GLASS STOP HEIGHT = 1-1/8")
- * TRANSOM OPTIONAL MAX. HEIGHT 6'-0" TOP OF HEADER TO TOP OF TRANSOM. CONSULT FACTORY FOR LARGER SIZES.
- * TRANSOM FLUSH GLAZING OTHER THAN 1/4" GLASS HAS SURFACE APPLIED GLASS STOPS.
- * ALL WRITTEN DIMENSIONS ARE TO TAKE PREFERENCE OVER SCALED DIMENSIONS.
- * SIZES NOT LISTED BELOW - CONSULT WITH FACTORY.
- * ALL ANSI DECALS ARE PROVIDED.

OVERALL FRAME WIDTH (A)	DOOR OPENING (B)	DOOR/PANEL WIDTH (C)	MASONRY OPENING WIDTH (D)
7'-0" (MIN.)	36"	41-1/8"	7'-0 1/2"
8'-0"	42"	47-1/8"	8'-0 1/2"
8'-6"	44"	50-1/8"	8'-6 1/2"
9'-0" (MAX.)	48"	53-1/8"	9'-0 1/2"