



96K SERIES
 BI-PARTING SLIDING DOORS
 PADDLE PANIC EXIT DEVICE
 SURFACE APPLIED
 NARROW STILE
 WITH THRESHOLD

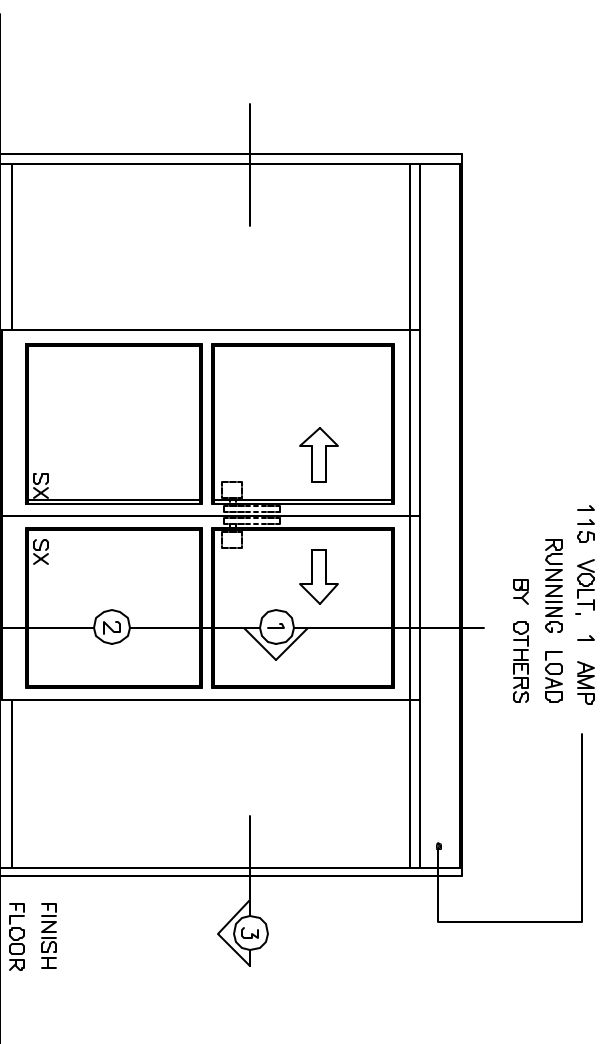
P-SX-SX-P

7350 West Wilson Ave.
 Harwood Heights, IL. 60706-4786

Phone: (800) 543-4635
 Fax: (708) 867-0291

www.doromatic.com

89521REVB
 JUNE 18, 2003 ECN 00966



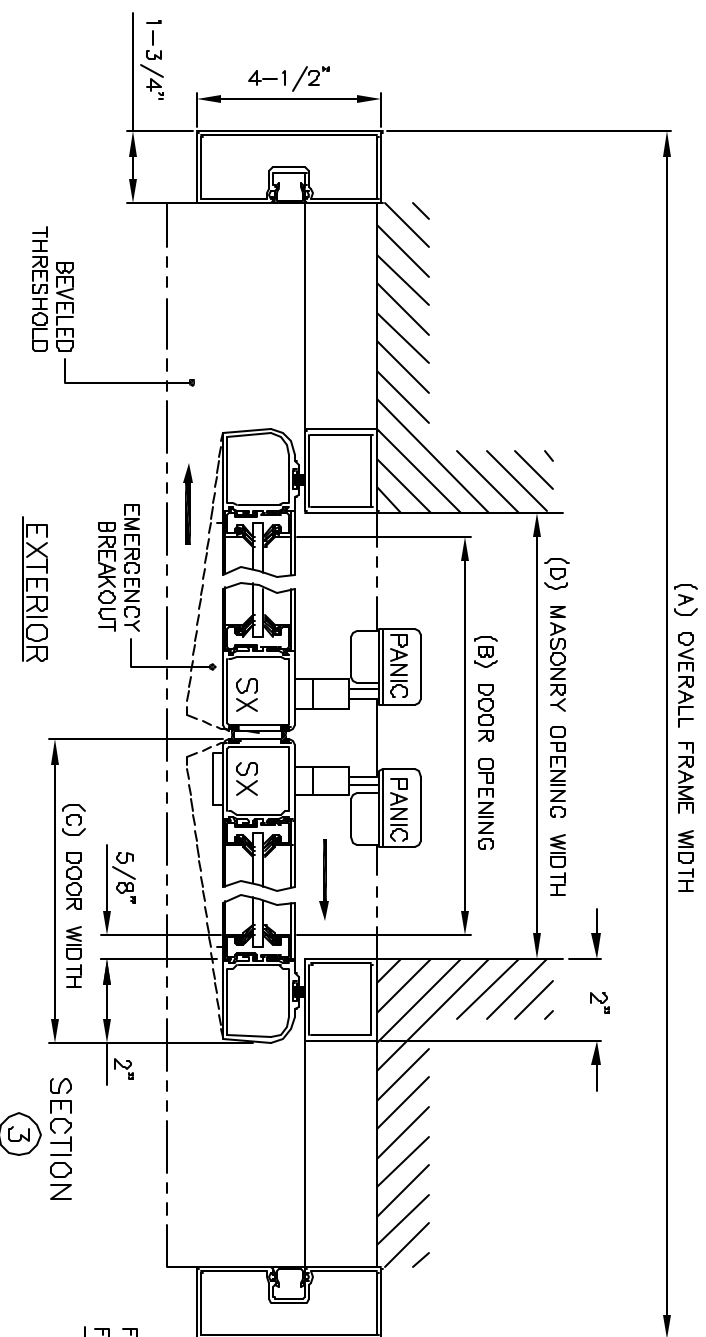
EXTERIOR ELEVATION

NOTE:
 STANDARD PACKAGE:
 OPERATOR, NARROW STILE DOORS, FRAMES, 2" MUNTINS,
 WEATHERSTRIPPING, PADDLE PANIC EXIT DEVICE ON LEADING
 STILE OF "SX" DOOR, HYDRAULIC CLOSERS ON "SX" DOORS,
 4-POSITION SWITCH, 2-POSITION KEYSWITCH, MOTION SENSOR,
 PRESENCE SENSOR, DOOR HOLDING BEAMS, ANTI-JAR WHEELS,
 1/4" GLAZING SYSTEM AND ONE PIECE 1/2" X 7-1/2"
 THRESHOLD - JAMB TO JAMB.

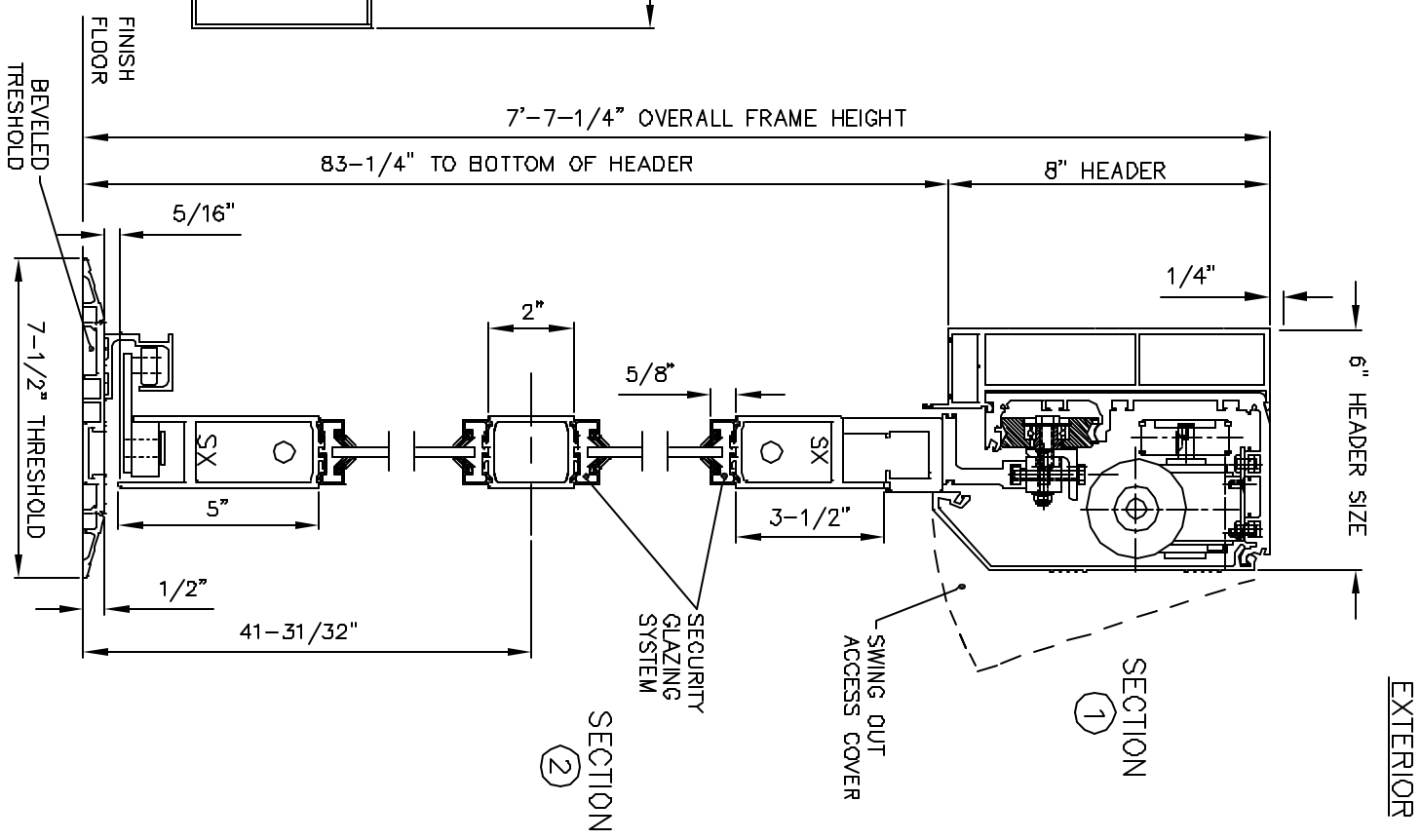
STANDARD FINISH:
 CLEAR ANODIZED - US28
 DARK BRONZE ANODIZED - DC13
 SPECIAL COLORS ARE AVAILABLE

- * PANIC DEVICE MUST BE APPROVED BY CODE OFFICIAL.
- * MAX. GLASS THICKNESS IS 1".
 (GLASS STOP HEIGHT = 1-1/8")
- * ALL WRITTEN DIMENSIONS ARE TO TAKE
 PREFERENCE OVER SCALED DIMENSIONS.
- * SIZES LARGER THAN 14'-0" - CONSULT WITH FACTORY.
- * ALL ANSI DECALS ARE PROVIDED.

OVERALL FRAME WIDTH (A)	DOOR OPENING (B)	DOOR WIDTH (C)	MASONRY OPENING (D)
8'-3 1/2" (MIN.)	42"	25"	46"
10'-0"	48"	30"	56"
12'-0"	60"	36"	68"
14'-0" (MAX.)	72"	42"	78"



SECTION 3



SECTION 2

EXTERIOR