



96K SERIES
 SINGLE SLIDING DOOR
 PADDLE PANIC EXIT DEVICE
 SURFACE APPLIED
 NARROW STYLE
 WITH THRESHOLD

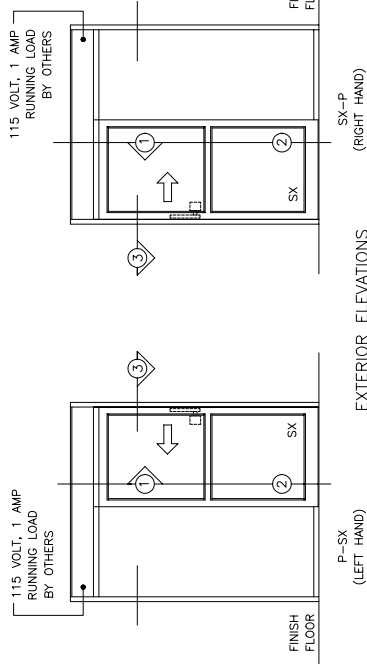
7350 West Wilson Ave.
 Harwood Heights, IL 60706-4786

Phone: (800) 543-4635
 Fax: (708) 867-0291

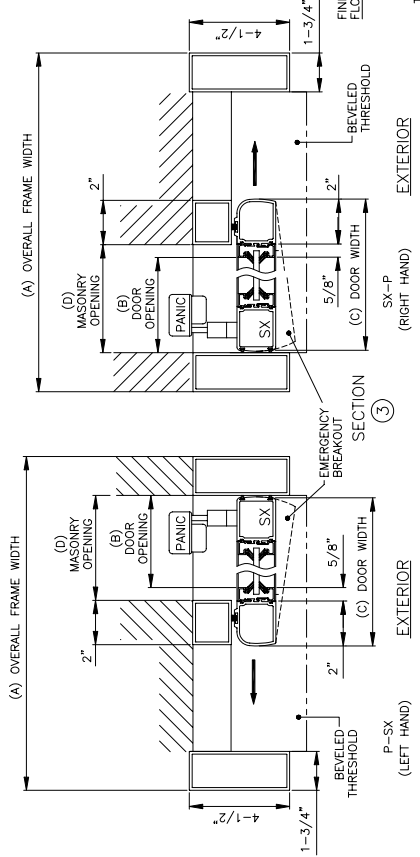
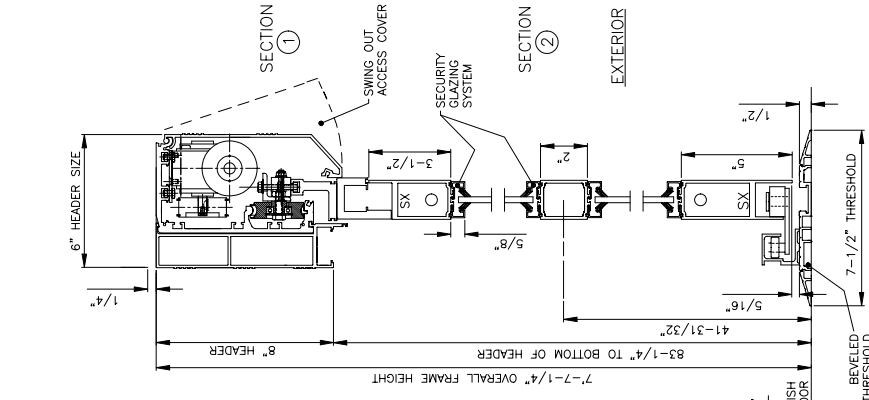
P-SX AND SX-P

www.doromatic.com

OCTOBER 17, 2002
 89522REVA
 EGN 00921



EXTERIOR ELEVATIONS



NOTE:

STANDARD PACKAGE:
 2" MUNTINS
 WEATHERSTRIPPING PADDLE PANIC EXIT DEVICE ON LEADING
 STYLE OF "SX" DOOR, HYDRAULIC CLOSERS IN "SX" DOORS,
 FAIL SECURE ELECTRIC LOCK, 4-POSITION SWITCH, 2-POSITION
 KEYSWITCH, MOTION SENSOR, PRESENCE SENSOR, DOOR HOLDING
 BEAMS, ANTI-JAR WHEELS, 1/4" GLAZING SYSTEM, AND ONE
 PIECE 1/2" X 7-1/2" THRESHOLD - JAMB TO JAMB.

STANDARD FINISH:
 CLEAR ANODIZED - US28
 DARK BRONZE ANODIZED - DC13
 SPECIAL COLORS ARE AVAILABLE

- * PANIC DEVICE MUST HAVE APPROVAL OF CODE OFFICIAL.
- * MAX. GLASS THICKNESS IS 1" (GLASS STOP HEIGHT = 1-1/8")
- * ALL WRITTEN DIMENSIONS ARE TO TAKE PREFERENCE OVER SCALED DIMENSIONS.
- * SIZES NOT LISTED BELOW - CONSULT WITH FACTORY.
- * ALL ANSI DECALS ARE PROVIDED.

OVERALL FRAME WIDTH (A)	DOOR OPENING WIDTH (B)	DOOR WIDTH (C)	MASONRY OPENING (D)
7'-0" (MIN.)	36"	41-1/8"	39-1/8"
8'-0"	42"	47-1/8"	45-1/8"
8'-6"	44"	50-1/8"	48-1/8"
9'-0" (MAX.)	48"	53-1/8"	51-1/8"