



**96K SERIES**  
 BI-PARTING SLIDING DOORS  
 PADDLE PANIC EXIT DEVICE  
 SURFACE APPLIED  
 NARROW STILE  
 WITHOUT THRESHOLD

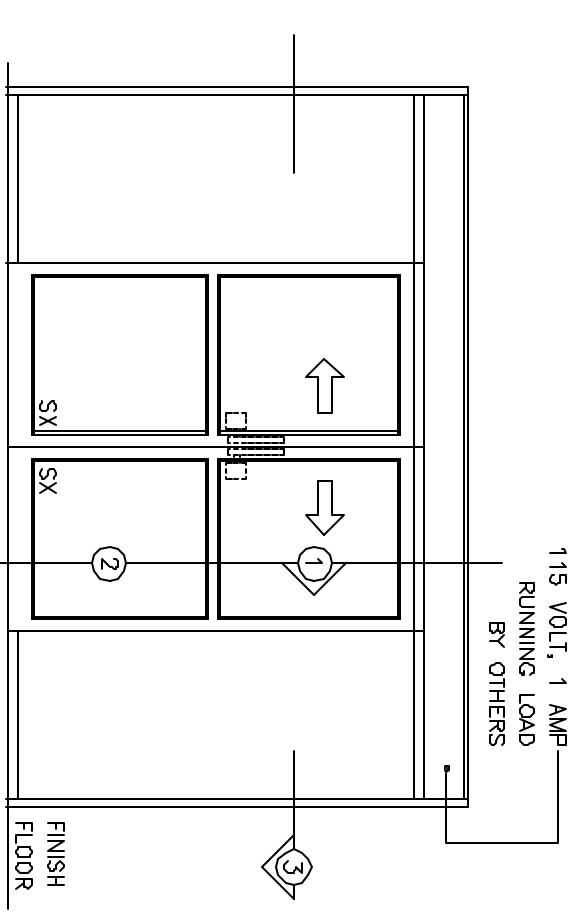
P-SX-SX-P

7350 West Wilson Ave.  
 Harwood Heights, IL. 60706-4786

Phone: (800) 543-4635  
 Fax: (708) 867-0291

www.doromatic.com

89524REV B  
 JUNE 18, 2003 ECN 00966



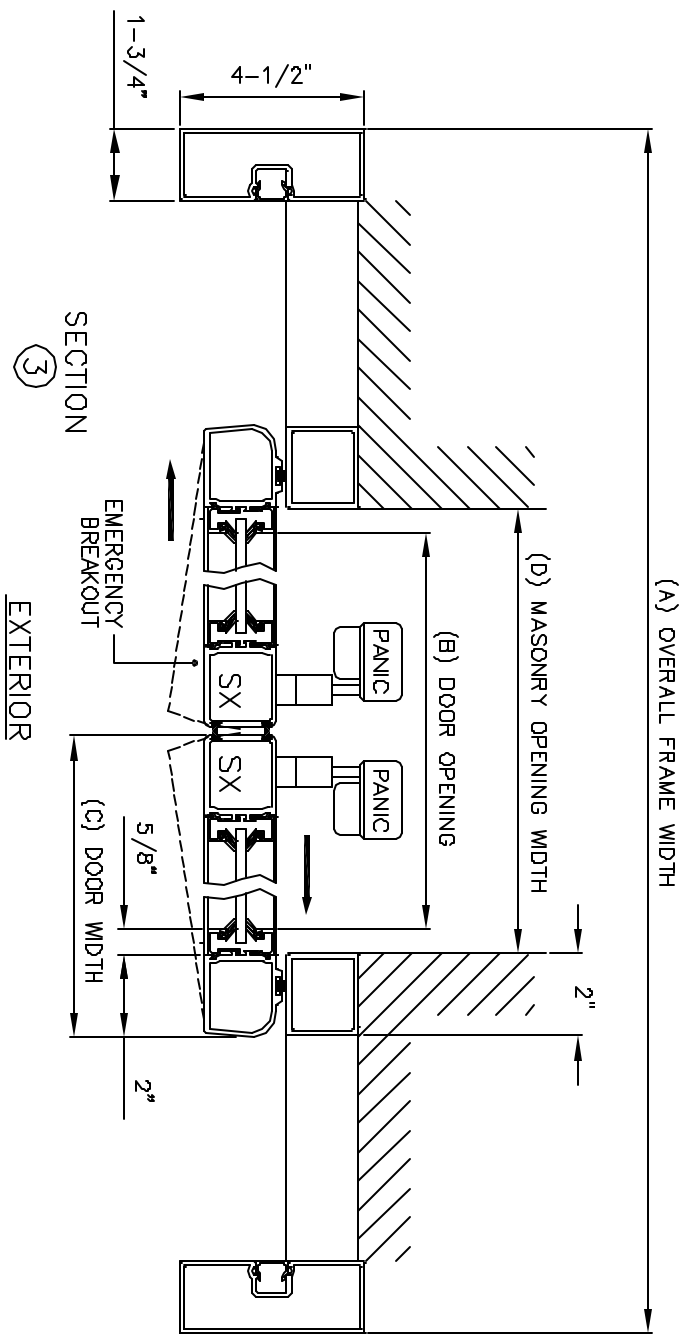
EXTERIOR ELEVATION

**NOTE:**  
 STANDARD PACKAGE:  
 OPERATOR, NARROW STILE DOORS, FRAMES, 2" MUNTINS,  
 WEATHERSTRIPPING, PADDLE PANIC EXIT DEVICE ON LEADING  
 STILE OF "SX" DOOR, HYDRAULIC CLOSERS IN "SX" DOORS,  
 FAIL SECURE ELECTRIC LOCK, 4-POSITION SWITCH, 2-POSITION  
 KEYSWITCH, MOTION SENSOR, PRESENCE SENSOR, DOOR HOLDING  
 BEAMS, ANTI-JAR WHEELS, AND 1/4" GLAZING SYSTEM.

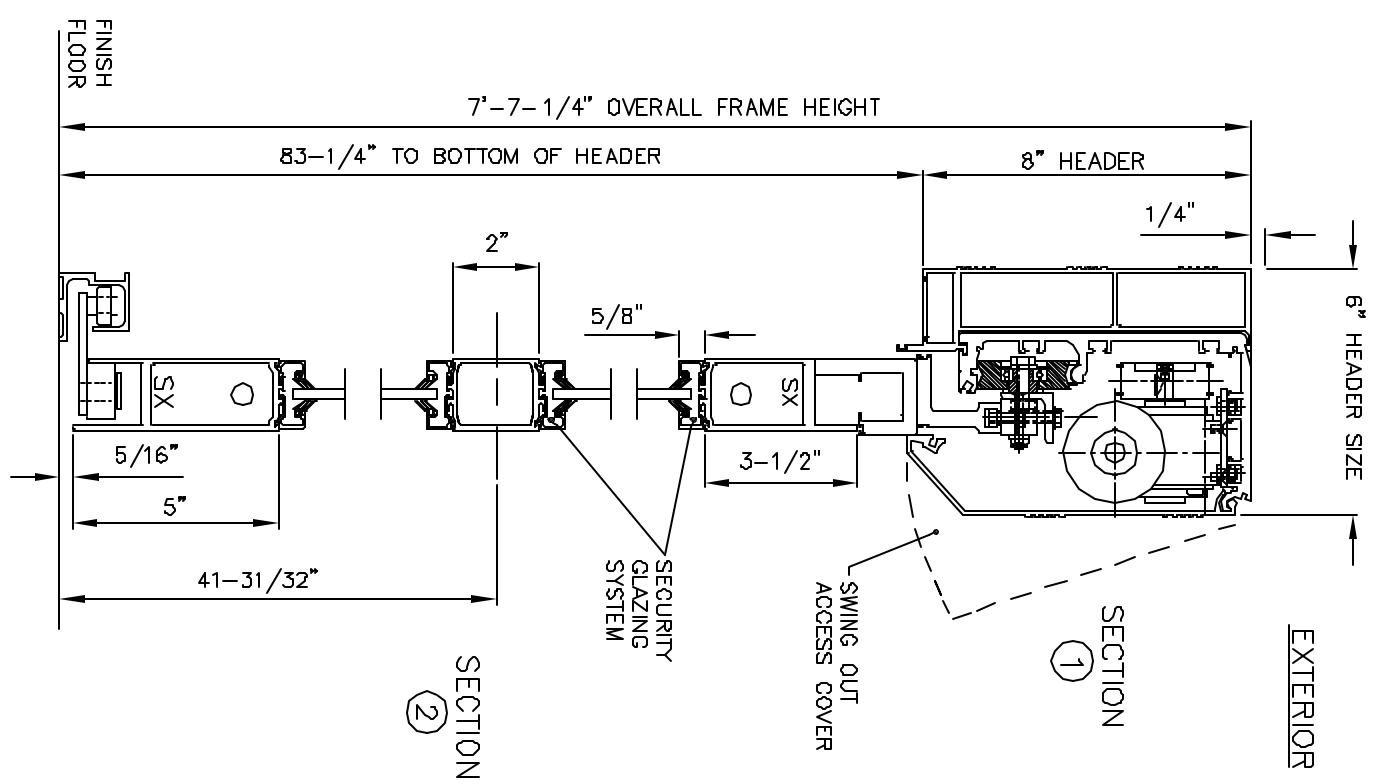
STANDARD FINISH:  
 CLEAR ANODIZED - US2B  
 DARK BRONZE ANODIZED - DC13  
 SPECIAL COLORS ARE AVAILABLE

- \* PANIC DEVICE MUST BE APPROVED BY CODE OFFICIAL.
- \* MAX. GLASS THICKNESS IS 1" (GLASS STOP HEIGHT = 1-1/8")
- \* ALL WRITTEN DIMENSIONS ARE TO TAKE PREFERENCE OVER SCALED DIMENSIONS.
- \* SIZES LARGER THAN 14'-0" - CONSULT WITH FACTORY.
- \* ALL ANSI DECALS ARE PROVIDED.

OVERALL FRAME WIDTH ( A )	DOOR OPENING ( B )	DOOR WIDTH ( C )	MASONRY OPENING ( D )
8'-3 1/2" (MIN.)	42"	25"	46"
10'-0"	48"	30"	56"
12'-0"	60"	36"	68"
14'-0" (MAX.)	72"	42"	78"



SECTION 3



SECTION 2