

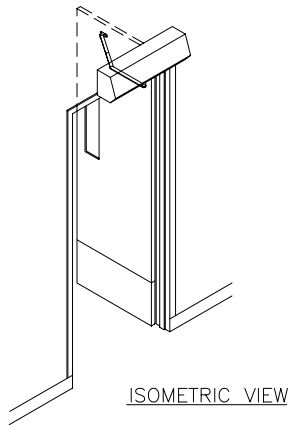


**BENCHMARK**  
LOW ENERGY OPERATOR - 27"  
SINGLE DOOR  
OFFSET PIVOT OR BUTT HINGE  
SURFACE APPLIED  
WITH PUSH ARM

89525REVA  
MAY 2, 2002

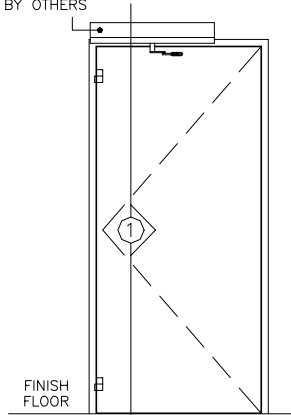
7350 West Wilson Ave.  
Harwood Heights, IL. 60706-4786

Phone: (800) 543-4635    www.doromatic.com  
Fax: (708) 867-0291



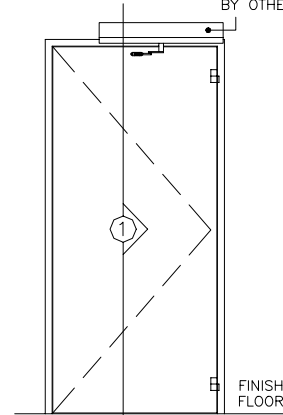
ISOMETRIC VIEW

115 VOLT, 1 AMP  
RUNNING LOAD  
BY OTHERS



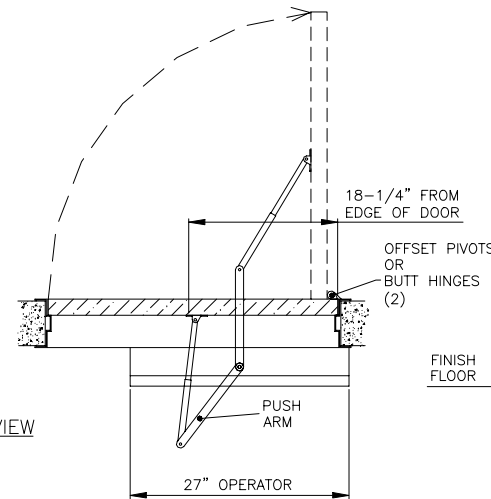
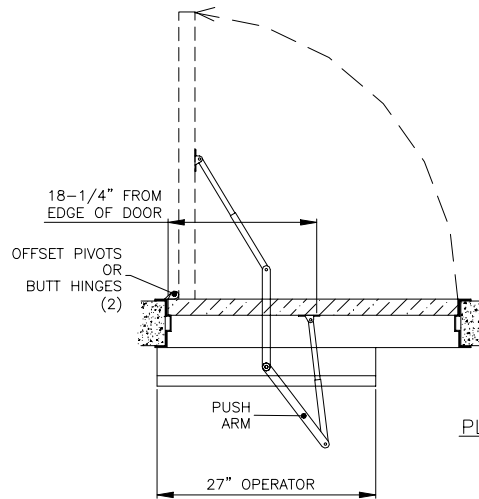
LEFT  
HAND

115 VOLT, 1 AMP  
RUNNING LOAD  
BY OTHERS

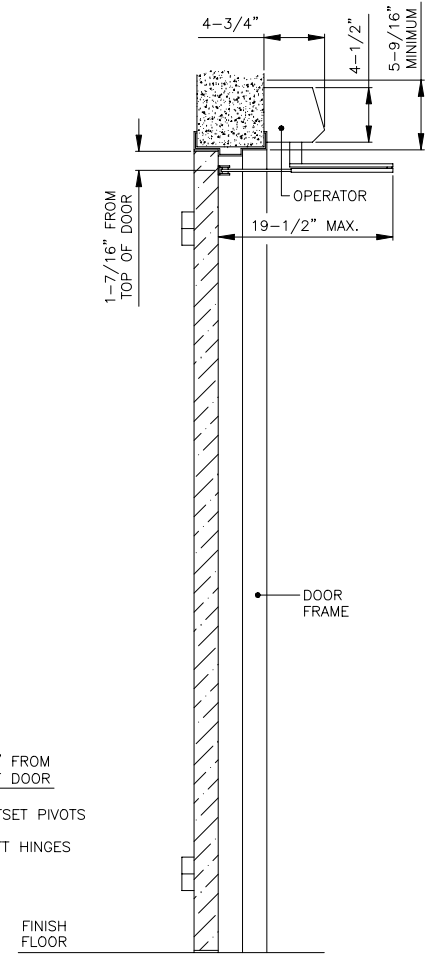


RIGHT  
HAND

ELEVATION VIEW



PLAN VIEW



SECTION VIEW

①

NOTE:

\* ALSO AVAILABLE WITH PREMIUM CONTROL BOX FOR SIMPLIFIED COORDINATION WITH COMMON ELECTRICAL HARDWARE.

\* ALL ANSI DECALS ARE PROVIDED.