



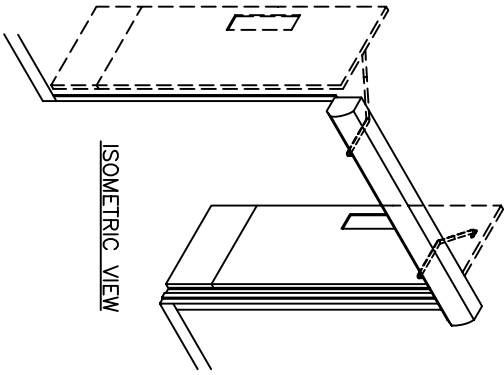
BENCHMARK
 LOW ENERGY OPERATOR - FULL LENGTH
 SIMULTANEOUS PAIR
 OFFSET PIVOT OR BUTT HINGE
 SURFACE APPLIED
 WITH PUSH ARM

7350 West Wilson Ave.
 Harwood Heights, IL 60706-4786

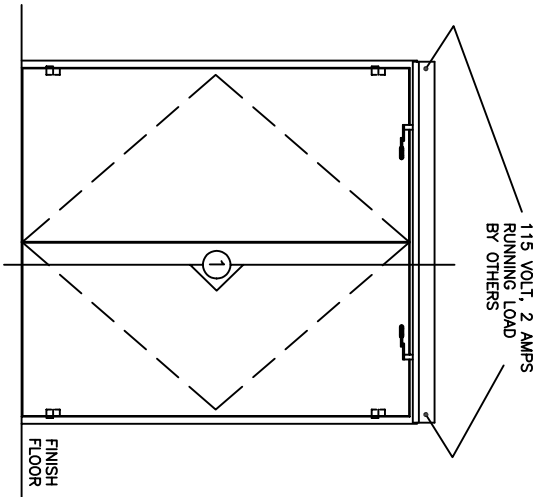
Phone: (800) 543-4635
 Fax: (708) 867-0291

www.doromatic.com

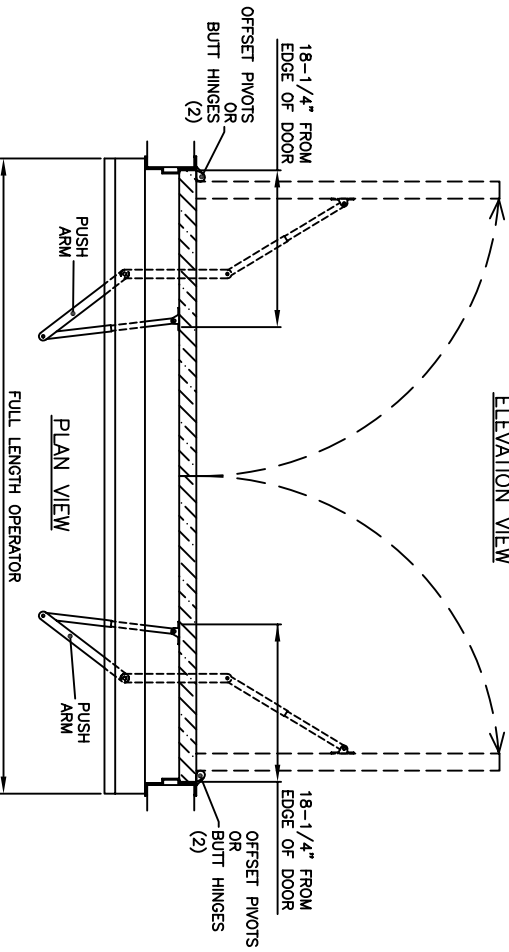
89527RE/B
 MAR. 22, 2004



ISOMETRIC VIEW

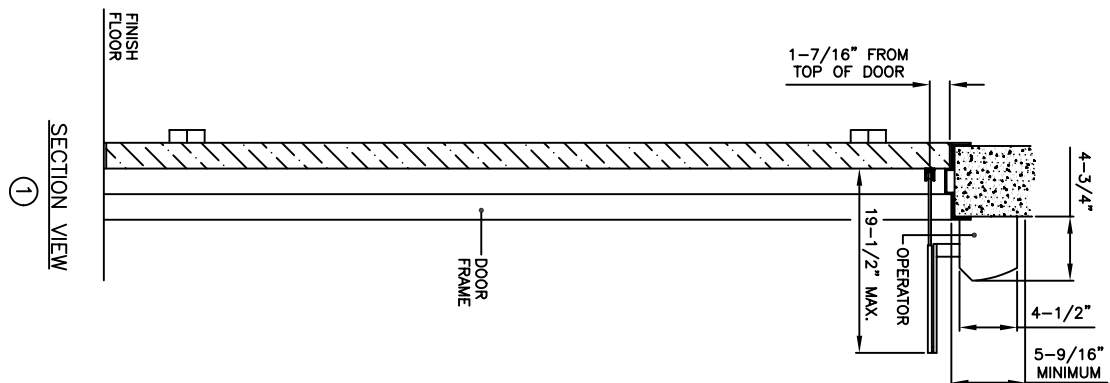


ELEVATION VIEW



PLAN VIEW

FULL LENGTH OPERATOR



SECTION VIEW

①

NOTE:
 * ALSO AVAILABLE WITH PREMIUM CONTROL BOX FOR
 SIMPLIFIED COORDINATION WITH COMMON ELECTRICAL
 HARDWARE.
 * ALL ANSI DECALS ARE PROVIDED.

115 VOLT, 2 AMP
 RUNNING LOAD
 BY OTHERS

1-7/16" FROM
 TOP OF DOOR

4-3/4"

4-1/2"
 5-9/16"
 MINIMUM

19-1/2" MAX.

DOOR
 FRAME

18-1/4" FROM
 EDGE OF DOOR
 OFFSET PIVOTS
 OR
 BUTT HINGES
 (2)

18-1/4" FROM
 EDGE OF DOOR
 OFFSET PIVOTS
 OR
 BUTT HINGES
 (2)

PUSH
 ARM

PUSH
 ARM