

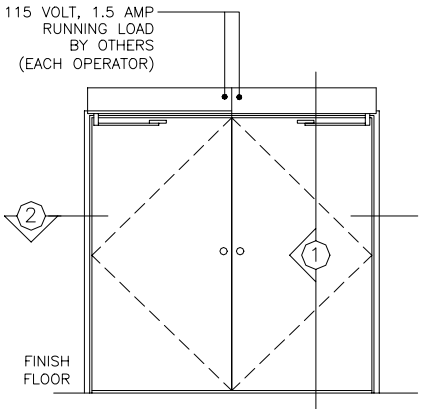


**SENIOR-SWING**  
 DOUBLE EGRESS DOOR - RIGHT HAND  
 (1) SURFACE APPLIED OPERATOR ON EACH SIDE  
 FOR BUTT-HINGED DOORS  
 WITH PUSH ARM

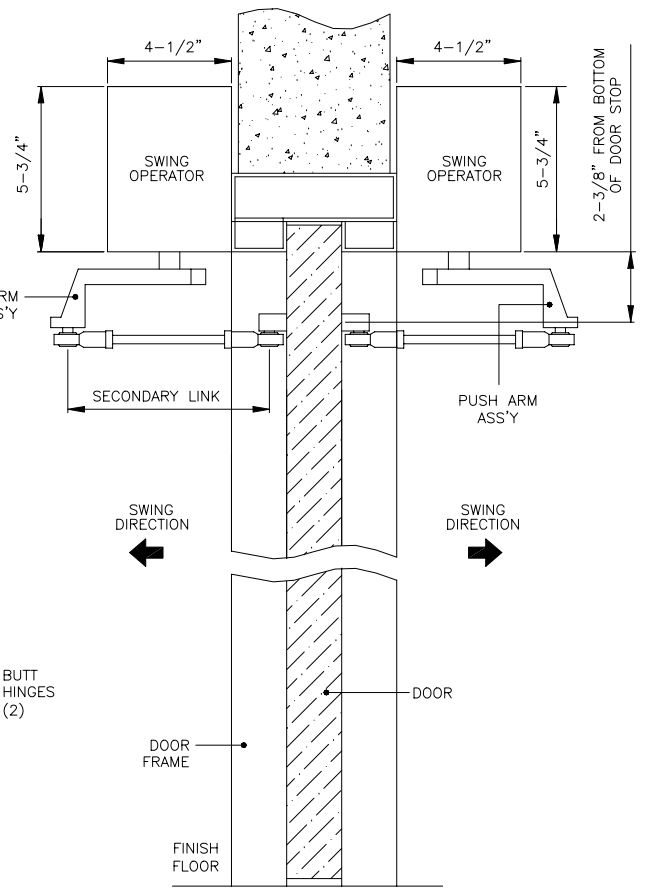
89586REVA  
 MAY 8, 2002

7350 West Wilson Ave.  
 Harwood Heights, IL. 60706-4786

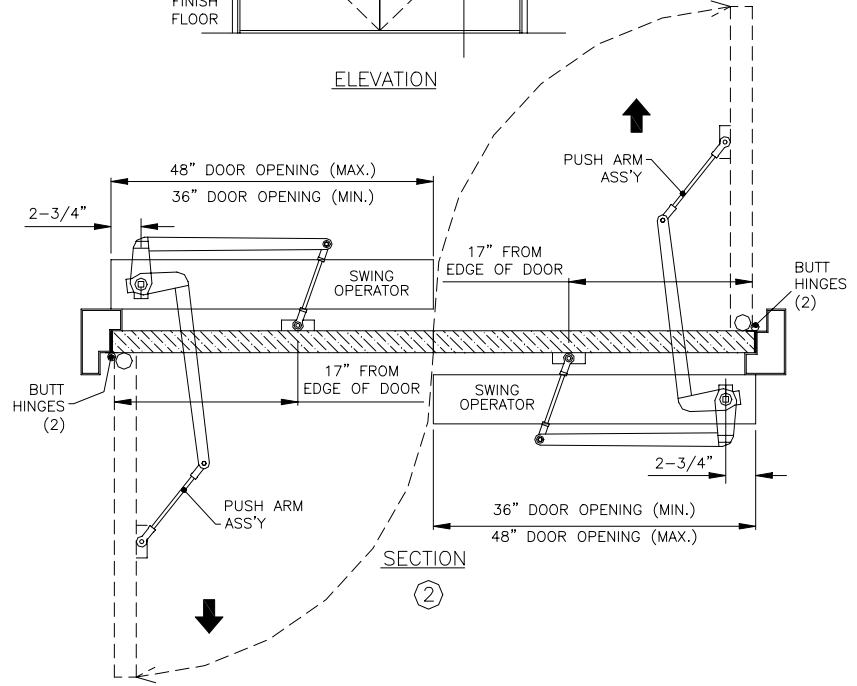
Phone: (800) 543-4635    www.doromatic.com  
 Fax: (708) 867-0291



ELEVATION



SECTION ①



SECTION ②

**NOTE:**  
 STANDARD PACKAGE:  
 ELECTRO-MECHANICAL SWING DOOR OPERATOR, WITH  
 MICROPROCESSOR CONTROL BOX, AND TOP PUSH ARM.

STANDARD FINISH:  
 CLEAR ANODIZED - US28  
 DARK BRONZE ANODIZED - DC13  
 SPECIAL COLORS AND CLADDING ARE AVAILABLE

- \* CONSULT ANSI CODES FOR SAFETY REQUIREMENTS.
- \* ALL WRITTEN DIMENSIONS ARE TO TAKE PREFERENCE OVER SCALED DIMENSIONS.
- \* OPTIONAL EQUIPMENT;
  - HEADER MOUNTED SAFETY SYSTEM
  - SAFETY SENSORS
  - GUIDE RAILS
 " THE LENGTH WILL BE IN ACCORDANCE WITH ANSI-STANDARD "
- \* ALL ANSI DECALS ARE PROVIDED.