



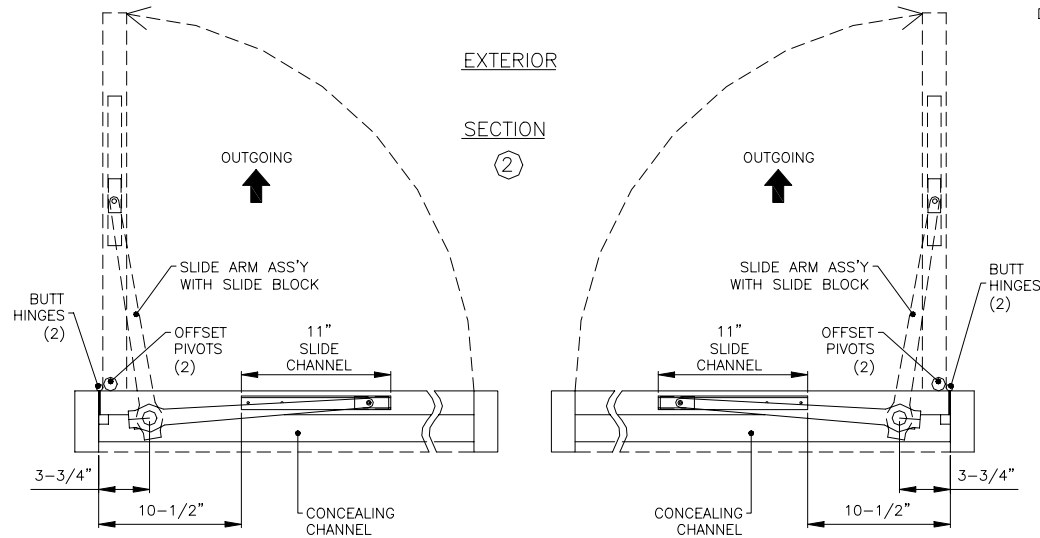
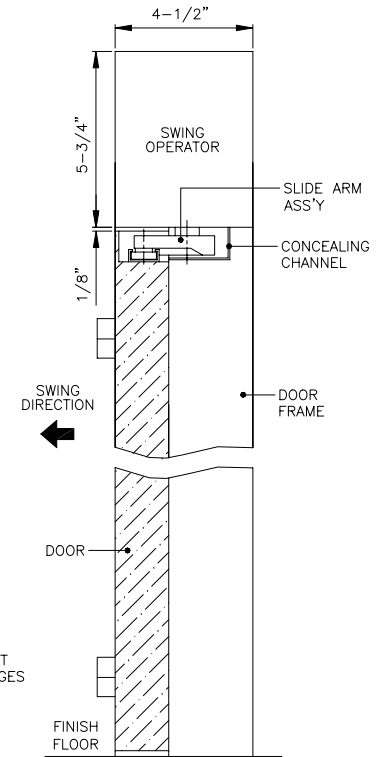
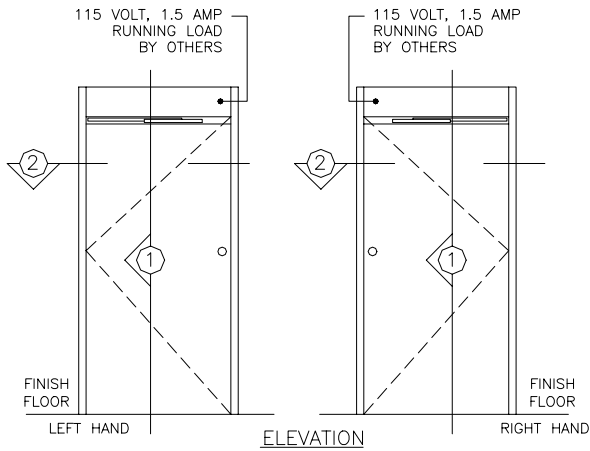
SENIOR-SWING

SINGLE DOOR - 87400
 OVERHEAD CONCEALED
 FOR OFFSET OR BUTT-HINGED DOORS
 OUTGOING SWING
 WITH SLIDE ARM

89606REVA
 MAY 8, 2002

7350 West Wilson Ave.
 Harwood Heights, IL. 60706-4786

Phone: (800) 543-4635 www.doromatic.com
 Fax: (708) 867-0291



NOTE:

STANDARD PACKAGE:
 ELECTRO-MECHANICAL SWING DOOR OPERATOR WITH
 MICROPROCESSOR CONTROL BOX, #87400 TOP
 ARM ASSEMBLY, AND ARM CONCEALING CHANNEL.

STANDARD FINISH:
 CLEAR ANODIZED - US28
 DARK BRONZE ANODIZED - DC13
 SPECIAL COLORS AND CLADDING ARE AVAILABLE

* MUST USE (2) INTERMEDIATE PIVOTS ON EACH
 DOOR. CAN NOT USE STANDARD OFFSET PIVOTS.

* CONSULT ANSI CODES FOR SAFETY REQUIREMENTS.

* ALL WRITTEN DIMENSIONS ARE TO TAKE
 PREFERENCE OVER SCALED DIMENSIONS.

* OPTIONAL EQUIPMENT:
 - HEADER MOUNTED SAFETY SYSTEM
 - SAFETY SENSORS
 - GUIDE RAILS W/ SAFETY LOGIC BEAM.
 " THE LENGTH WILL BE IN ACCORDANCE
 WITH ANSI-STANDARD "

* ALL ANSI DECALS ARE PROVIDED.