



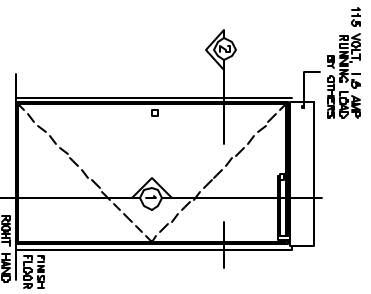
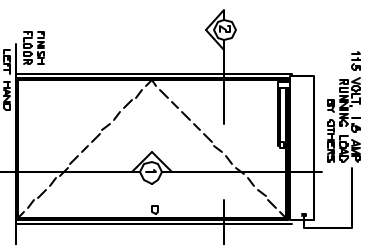
MID-SWING
 SWING DOOR OPENED OPERATOR
 FOR OFFSET OR BUTT-HINGE DOORS
 WITH FINISH FLOOR

2360 West Wilson Ave.
 Homewood, Indiana, U.S.A. 46738-4738

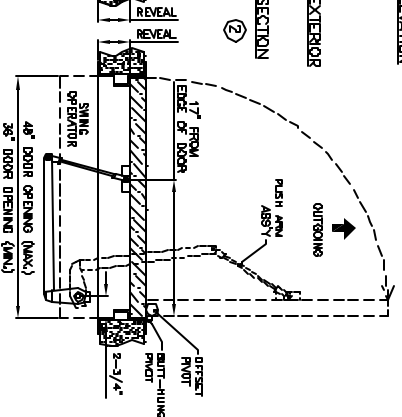
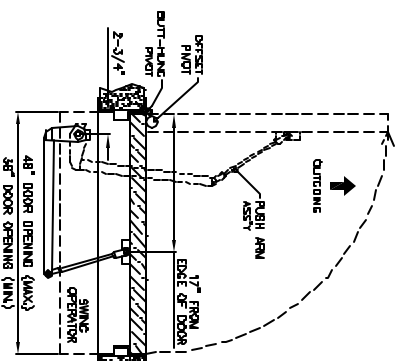
Phone: (800) 543-4636
 Fax: (730) 897-0291

www.doromatic.com

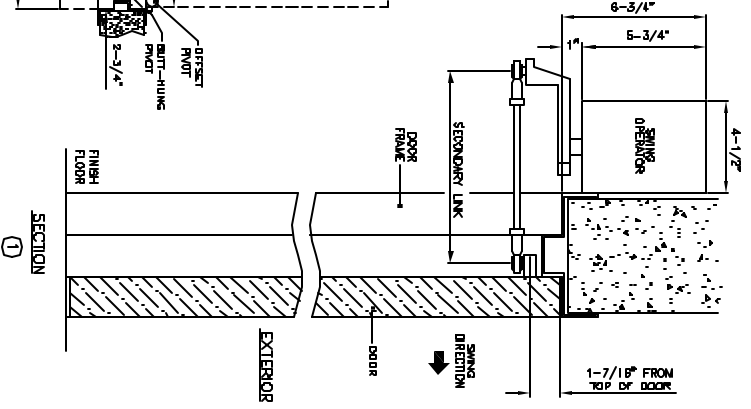
REVISED
 NOV. 29, 2002



ELEVATION



EXTERIOR SECTION



SECTION 1

NOTE:
 FINISH FLOOR TO BE INSTALLED BEFORE SWING DOOR OPERATOR WITH MICROPROCESSOR CONTROL BOX AND TOP FINISH FLOOR.
 STANDARD FINISH: - LAMINATE
 DARK FINISHES AND/OR SPECIAL COLORED FINISHES ARE AVAILABLE.
 * CONSULT AHS CODES FOR SAFETY REQUIREMENTS.
 * ALL WIRETER TERMINALS ARE TO TAKE PREFERENCE OVER SOLDERED CONNECTIONS.
 * OPTIONAL EQUIPMENT:
 - SAFETY STOPPER
 - SAFETY SENSORS
 - SAFETY SENSORS W/ SAFETY LOGIC BOARD.
 THE LENGTH WILL BE IN ACCORDANCE WITH AHS STANDARDS.
 * ALL AHS DECALS ARE PROVIDED.