

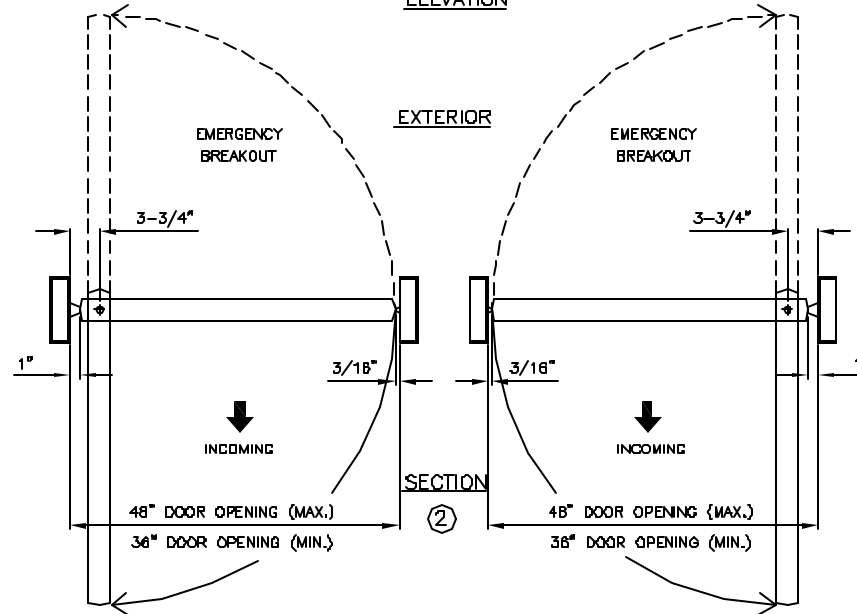
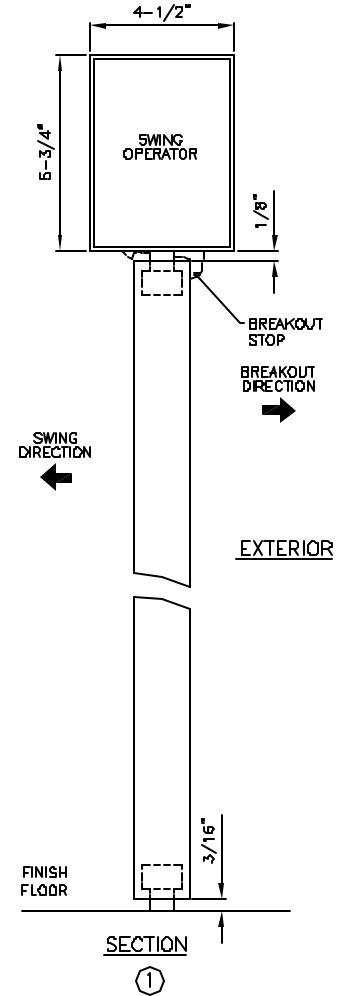
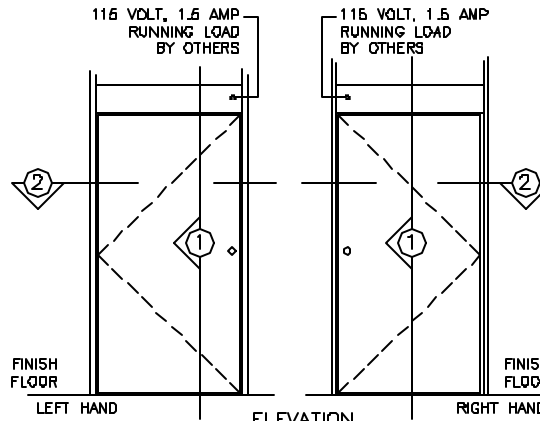


MID-SWING
 SINGLE DOOR
 OVERHEAD CONCEALED
 CENTER-PIVOTED
 EMERGENCY BREAKOUT
 INCOMING SWING

89708REV0
 NOV. 28, 2002

7350 West Wilson Ave.
 Harwood Heights, IL. 60706-4786

Phone: (800) 543-4635 www.doromatic.com
 Fax: (708) 867-0291



NOTE:

STANDARD PACKAGE:
 ELECTRO-MECHANICAL SWING DOOR OPERATOR WITH
 MICROPROCESSOR CONTROL BOX, CONCEALED TOP
 ARM, AND BOTTOM PIVOT.

STANDARD FINISH:
 CLEAR ANODIZED - US28
 DARK BRONZE ANODIZED - DC13
 SPECIAL COLORS AND CLADDING ARE AVAILABLE

* CONSULT ANSI CODES FOR SAFETY REQUIREMENTS.

* ALL WRITTEN DIMENSIONS ARE TO TAKE
 PREFERENCE OVER SCALED DIMENSIONS.

* OPTIONAL EQUIPMENT:

- DOORS, DOOR HARDWARE AND FRAMES.
- HEADER MOUNTED SAFETY SYSTEM
- SAFETY SENSORS
- GUIDE RAILS W/ SAFETY LOGIC BEAM.
 * THE LENGTH WILL BE IN ACCORDANCE
 WITH ANSI-STANDARD *

* ALL ANSI DECALS ARE PROVIDED.