

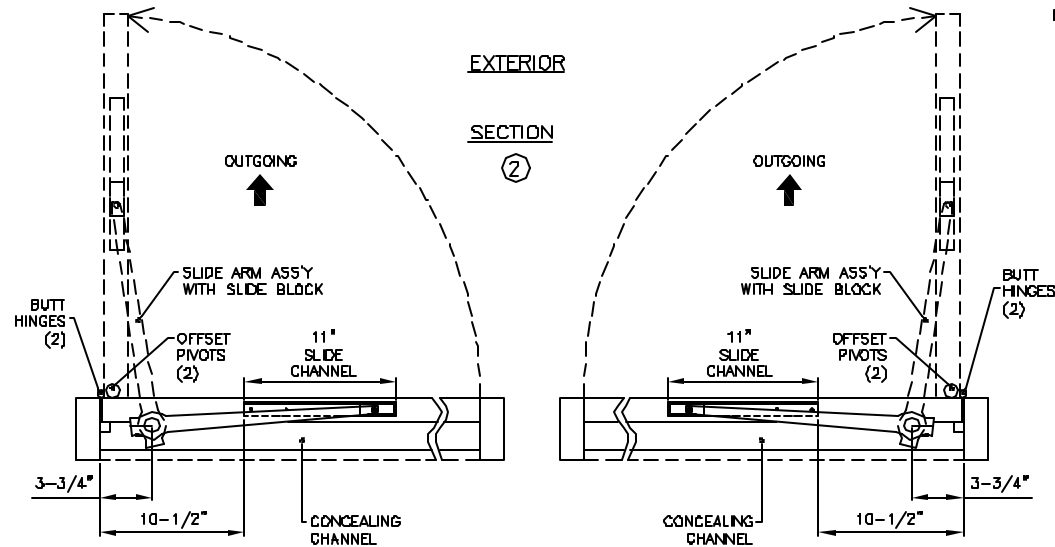
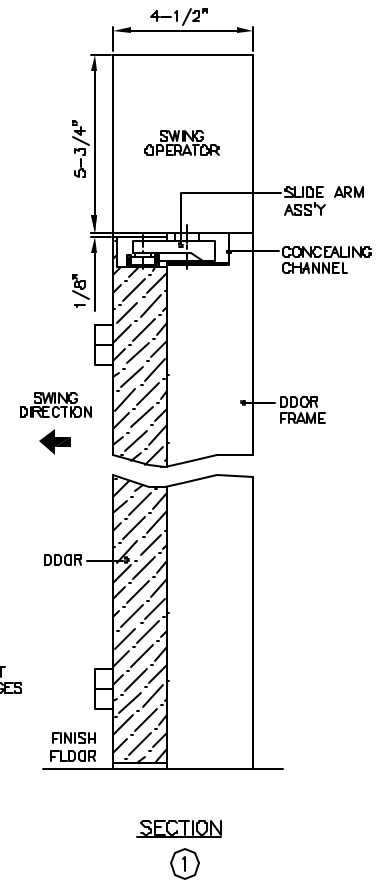
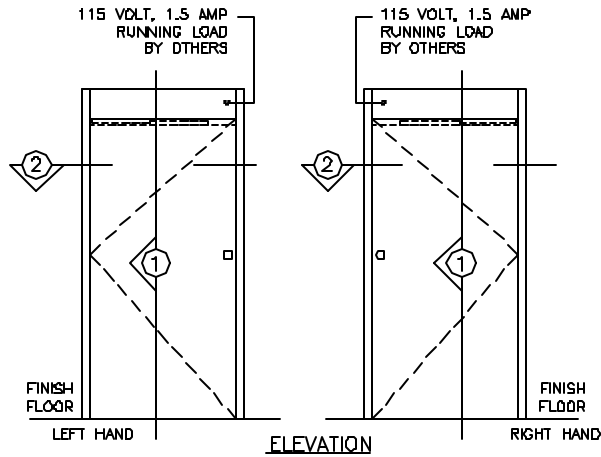


**MID-SWING**  
 SINGLE DOOR - 8740D  
 OVERHEAD CONCEALED  
 FOR OFFSET OR BUTT-HINGED DOORS  
 OUTGOING SWING  
 WITH SLIDE ARM

89712REV0  
 NOV. 28, 2002

7350 West Wilson Ave.  
 Harwood Heights, IL. 60706-4786

Phone: (800) 543-4635 www.doromatic.com  
 Fax: (708) 867-0291



**NOTE:**  
 STANDARD PACKAGE:  
 ELECTRO-MECHANICAL SWING DOOR OPERATOR WITH  
 MICROPROCESSOR CONTROL BOX, #8740D TOP  
 ARM ASSEMBLY, AND ARM CONCEALING CHANNEL.

STANDARD FINISH:  
 CLEAR ANODIZED - US28  
 DARK BRONZE ANODIZED - DC13  
 SPECIAL COLORS AND CLADDING ARE AVAILABLE.

- \* MUST USE (2) INTERMEDIATE PIVOTS ON EACH DOOR. CAN NOT USE STANDARD OFFSET PIVOTS.
- \* CONSULT ANSI CODES FOR SAFETY REQUIREMENTS.
- \* ALL WRITTEN DIMENSIONS ARE TO TAKE PREFERENCE OVER SCALED DIMENSIONS.
- \* OPTIONAL EQUIPMENT:
  - HEADER MOUNTED SAFETY SYSTEM
  - SAFETY SENSORS
  - GUIDE RAILS W/ SAFETY LOGIC BEAM. THE LENGTH WILL BE IN ACCORDANCE WITH ANSI-STANDARD "
- \* ALL ANSI DECALS ARE PROVIDED.