

LEFT HAND

RIGHT HAND

PLAN VIEW

EXTERIOR

EXTERIOR

**NOTE:**  
STANDARD PACKAGE:  
OPERATOR, NARROW STILE DOORS, FRAMES, WEATHERSTRIPPING  
2" MUNTINS, EMERGENCY BREAKOUT ON "FS" AND "FX" DOORS,  
MICROPROCESSOR CONTROL BOX WITH POWER BOOST CLOSE,  
CONTINUOUS EXTRUDED HINGE, ALUMINUM GUIDE RAILS, 4-  
POSITION KEYSWITCH, MOTION SENSOR, PRESENCE SENSOR,  
1/4" GLAZING SYSTEM, AND ONE PIECE 1/2" X 6" THRESHOLD  
JAMB TO JAMB.

STANDARD FINISH:  
CLEAR ANODIZED - US28  
DARK BRONZE ANODIZED - DC13  
SPECIAL COLORS AND CLADDING ARE AVAILABLE

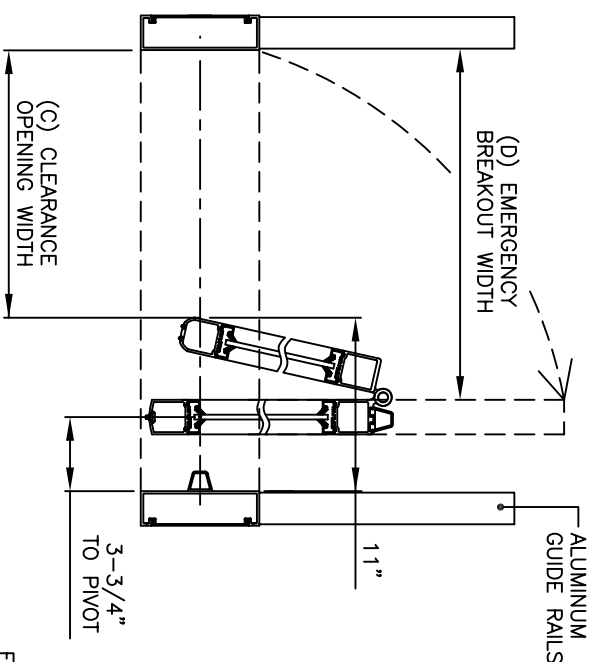
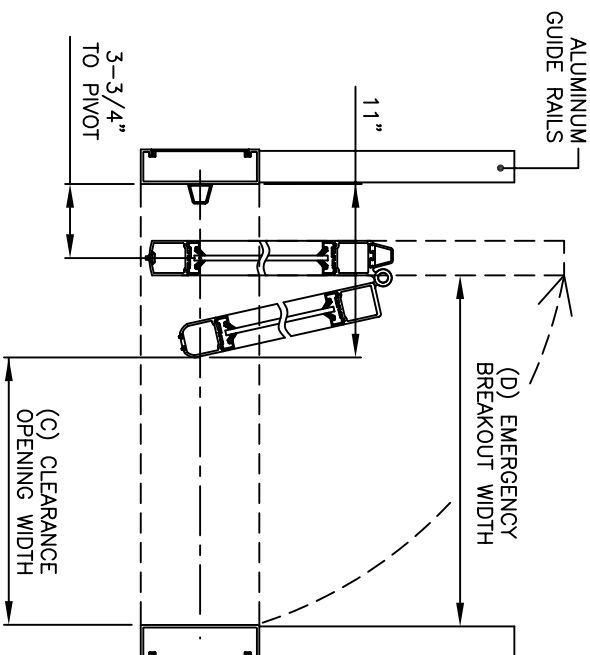
\* MAX. GLASS THICKNESS IS 1" ON "FS" AND "FX" DOORS.  
(GLASS STOP HEIGHT = 1-1/8")

\* TRANSOM OPTIONAL. MAX. HEIGHT 6'-0" TOP  
OF HEADER TO TOP OF TRANSOM. CONSULT  
FACTORY FOR LARGER SIZES.

\* ALL WRITTEN DIMENSIONS ARE TO TAKE PREFERENCE OVER  
SCALED DIMENSIONS.

\* SIZES NOT LISTED BELOW - CONSULT FACTORY

\* ALL ANSI DECALS ARE PROVIDED.



LEFT HAND

RIGHT HAND

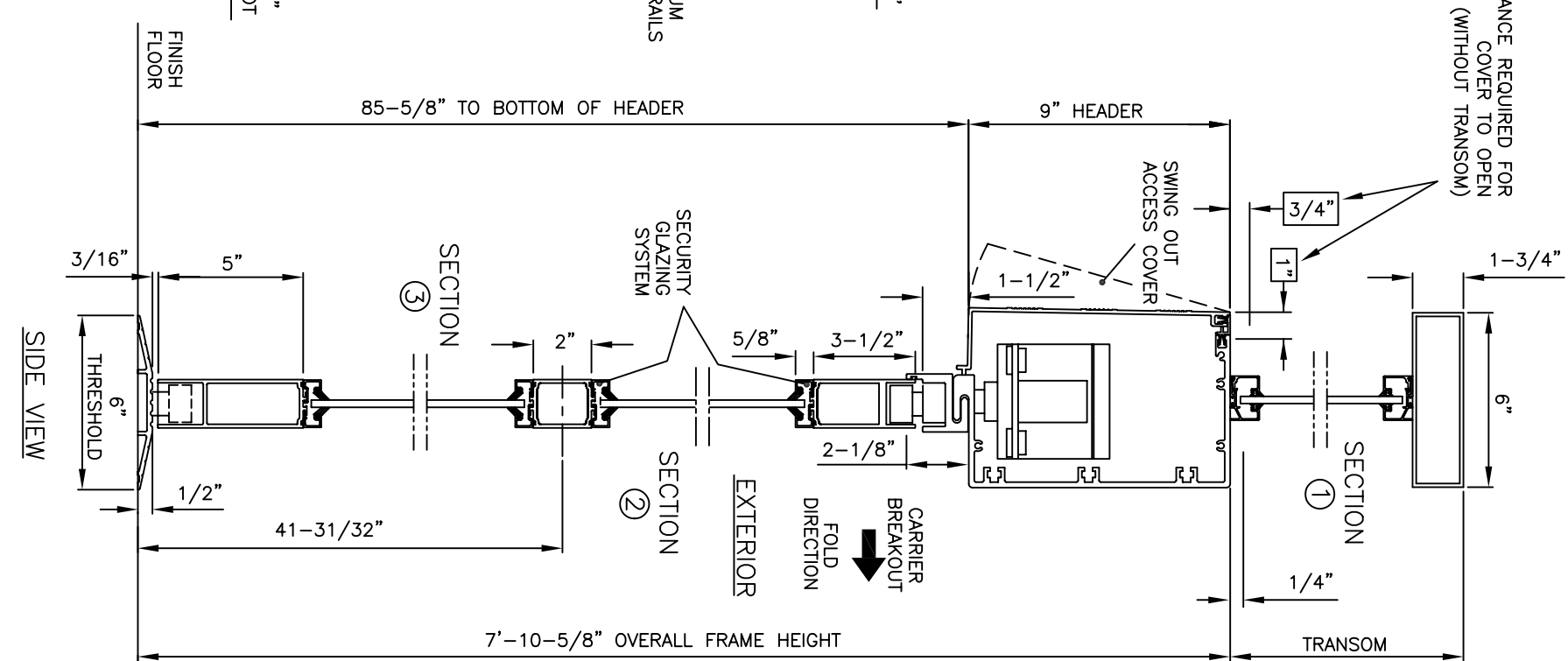
BREAKOUT VIEW

EXTERIOR

EXTERIOR

DESCRIPTION	DIMENSIONS	
	MIN.	MAX.
(A) OVERALL FRAME WIDTH	47-1/2"	57-1/2"
(B) HEADER LENGTH	44"	54"
(C) CLEARANCE OPENING WIDTH	33"	43"
(D) EMERGENCY BREAKOUT WIDTH	39-3/8"	49-3/8"
(E) MASONRY OPENING WIDTH	48"	58"

CLEARANCE REQUIRED FOR COVER TO OPEN (WITHOUT TRANSOM)



SIDE VIEW