

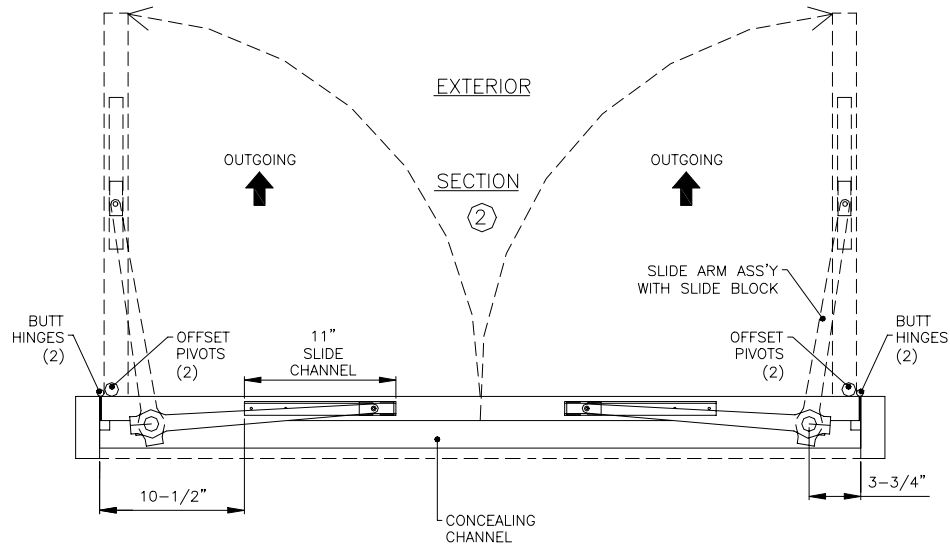
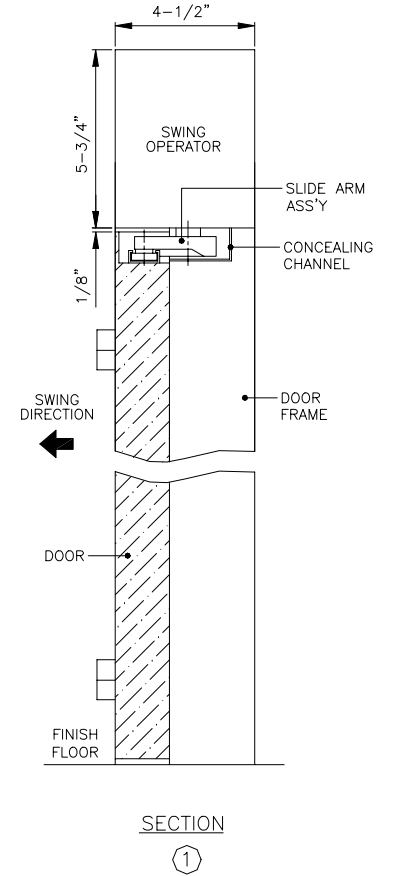
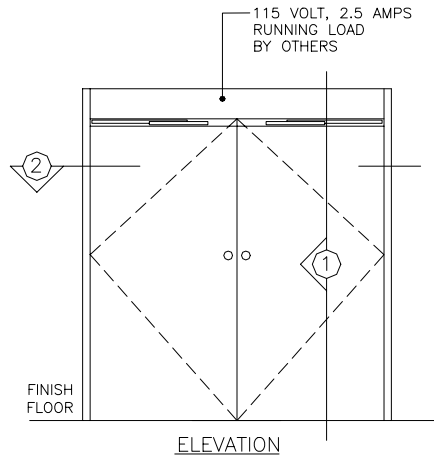


ASTRO-SWING
 SIMULTANEOUS PAIR - 87400
 OVERHEAD CONCEALED
 FOR OFFSET OR BUTT-HINGED DOORS
 OUTGOING SWING
 WITH SLIDE ARM

89571REVA
 MAY 2, 2002

7350 West Wilson Ave.
 Harwood Heights, IL. 60706-4786

Phone: (800) 543-4635 www.doromatic.com
 Fax: (708) 867-0291



NOTE:

STANDARD PACKAGE:
 ELECTRO-MECHANICAL SWING DOOR OPERATOR WITH
 MICROPROCESSOR CONTROL BOX, CONCEALED TOP
 ARM ASSEMBLY, AND ARM CONCEALING CHANNEL.

STANDARD FINISH:
 CLEAR ANODIZED - US28
 DARK BRONZE ANODIZED - DC13
 SPECIAL COLORS AND CLADDING ARE AVAILABLE

- * MUST USE (2) INTERMEDIATE PIVOTS ON EACH DOOR. CAN NOT USE STANDARD OFFSET PIVOTS.
- * CONSULT ANSI CODES FOR SAFETY REQUIREMENTS.
- * ALL WRITTEN DIMENSIONS ARE TO TAKE PREFERENCE OVER SCALED DIMENSIONS.
- * OPTIONAL EQUIPMENT;
 - HEADER MOUNTED SAFETY SYSTEM
 - SAFETY SENSORS
 - GUIDE RAILS W/ SAFETY LOGIC BEAM.
 - " THE LENGTH WILL BE IN ACCORDANCE WITH ANSI-STANDARD "
- * ALL ANSI DECALS ARE PROVIDED.