



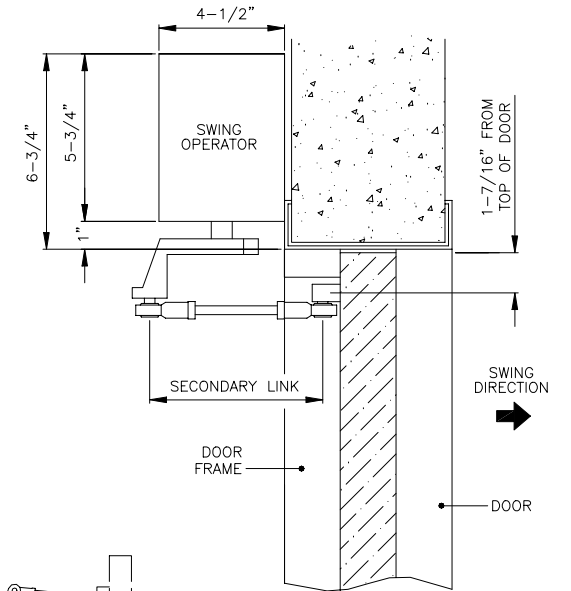
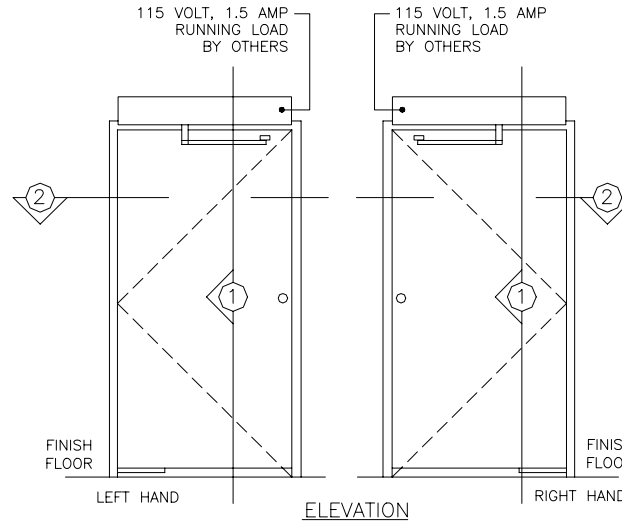
ASTRO-SWING

SINGLE DOOR
SURFACE APPLIED OPERATOR
BALANCED DOOR
OUTGOING SWING
WITH PUSH ARM

89572REVB
MAR. 28, 2002

7350 West Wilson Ave.
Harwood Heights, IL. 60706-4786

Phone: (800) 543-4635 www.doromatic.com
Fax: (708) 867-0291



NOTE:

STANDARD PACKAGE:
ELECTRO-MECHANICAL SWING DOOR OPERATOR WITH
MICROPROCESSOR CONTROL BOX, AND TOP ARM
ASSEMBLIES.

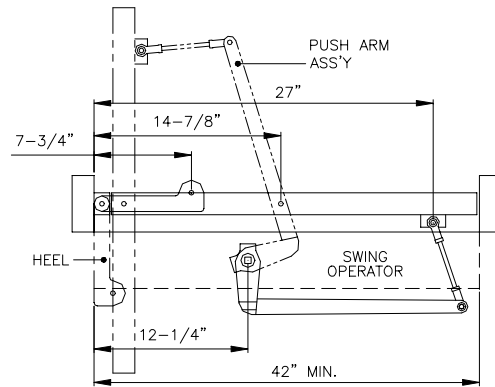
STANDARD FINISH:
CLEAR ANODIZED - US28
DARK BRONZE ANODIZED - DC13
SPECIAL COLORS AND CLADDING ARE AVAILABLE

* CONSULT ANSI CODES FOR SAFETY REQUIREMENTS.

* ALL WRITTEN DIMENSIONS ARE TO TAKE PREFERENCE OVER SCALED DIMENSIONS.

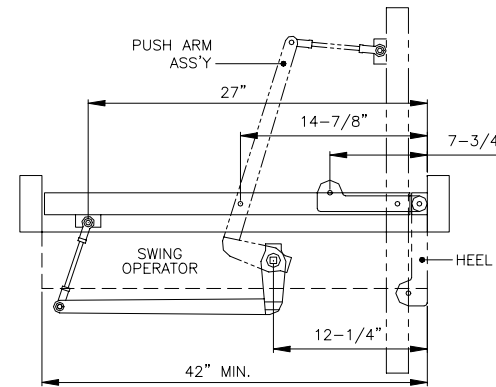
* OPTIONAL EQUIPMENT;
- SAFETY SENSORS
- GUIDE RAILS W/ SAFETY LOGIC BEAM.
" THE LENGTH WILL BE IN ACCORDANCE WITH ANSI-STANDARD "

* ALL ANSI DECALS ARE PROVIDED.



* FOR 30" - 41", THE CONTROL BOX MUST BE MOUNTED EXTERNALLY *

SECTION ②



* FOR 30" - 41", THE CONTROL BOX MUST BE MOUNTED EXTERNALLY *

SECTION ①

EXTERIOR

EXTERIOR

FINISH FLOOR