



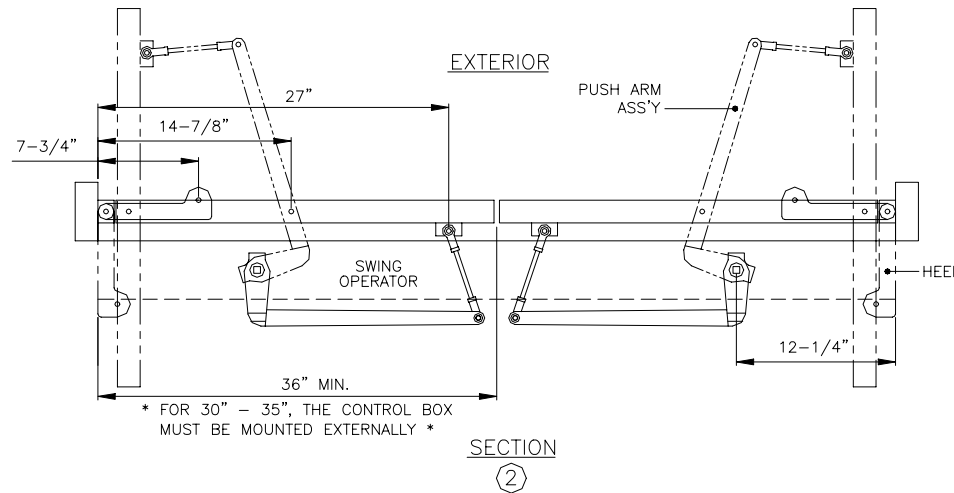
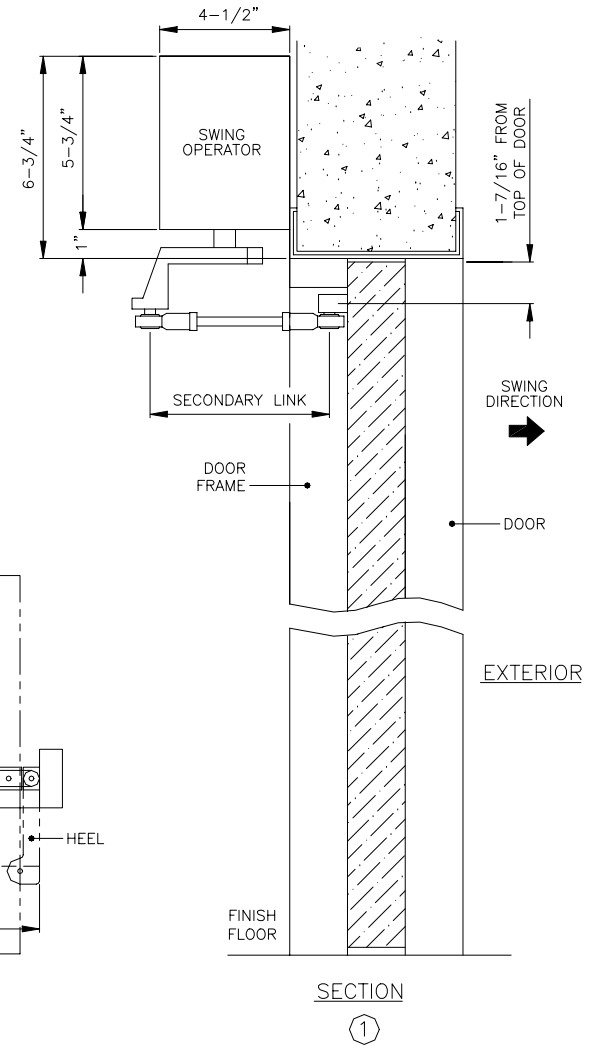
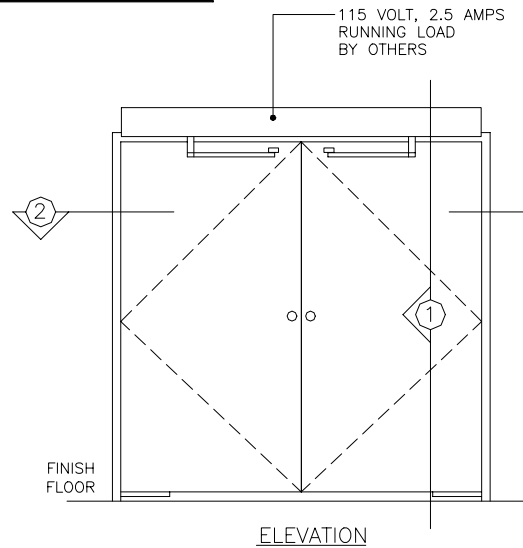
**ASTRO-SWING**

SIMULTANEOUS PAIR  
 SURFACE APPLIED OPERATOR  
 BALANCED DOOR  
 OUTGOING SWING  
 WITH PUSH ARM

89573REVA  
 DEC. 6, 2001

7350 West Wilson Ave.  
 Harwood Heights, IL. 60706-4786

Phone: (800) 543-4635 www.doromatic.com  
 Fax: (708) 867-0291



NOTE:

STANDARD PACKAGE:  
 ELECTRO-MECHANICAL SWING DOOR OPERATOR WITH  
 MICROPROCESSOR CONTROL BOX, AND TOP ARM  
 ASSEMBLIES.

STANDARD FINISH:  
 CLEAR ANODIZED - US28  
 DARK BRONZE ANODIZED - DC13  
 SPECIAL COLORS AND CLADDING ARE AVAILABLE

\* CONSULT ANSI CODES FOR SAFETY REQUIREMENTS.

\* ALL WRITTEN DIMENSIONS ARE TO TAKE  
 PREFERENCE OVER SCALED DIMENSIONS.

\* OPTIONAL EQUIPMENT;  
 - SAFETY SENSORS  
 - GUIDE RAILS W/ SAFETY LOGIC BEAM.  
 " THE LENGTH WILL BE IN ACCORDANCE  
 WITH ANSI-STANDARD"

\* ALL ANSI DECALS ARE PROVIDED.