



96000 Fixed Panel Hurricane Package Installation Reference

Important: Read this reference prior to Standard Installation Manual

DOR - O - MATIC®

7350 W. Wilson Ave.
Harwood Heights, IL 60706

Toll Free: 1-800-543-4635
In Illinois: 708-867-7400
Sales FAX: 708-867-0291
www.doromatic.com

INSTALLATION INFORMATION

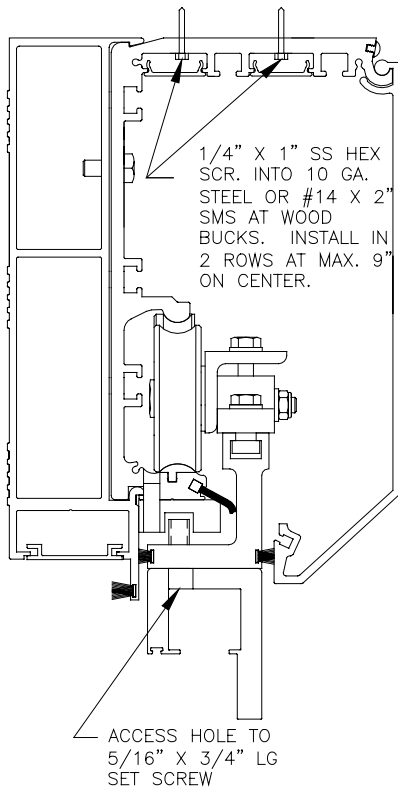


Figure 1

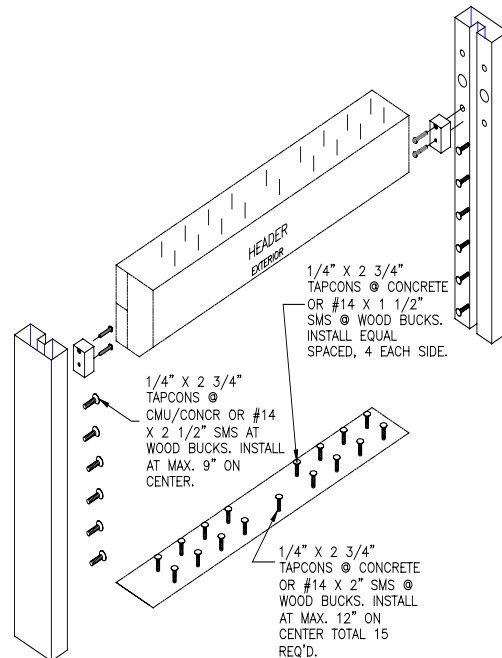


Figure 2

A. Header Reinforcement Blocks (Figure 2)

1. Install blocks from part bag 87456-000 on jamb tube prior to installing header to the frame.
2. To install block, fasten block through the upper (counterbored) hole, with tapped hole faced down, orientated towards swing cover, to lower rivnut on the interior side of the jamb tube using the button head phillips head fastener. Keeping the block level with the jamb tube, use the self-drilling self-tapping screw to fasten the block to the jamb through the second hole.
3. Secure the jamb tube to the header using the three (3) standard 1/4"-20 fasteners while inserting the block into the header extension extrusion's lower cavity.

B. Anchors and Installation of Frame.

Ensure that frame and threshold anchor type meets Miami/Dade County Building Code Compliance Office (BCCO) standard

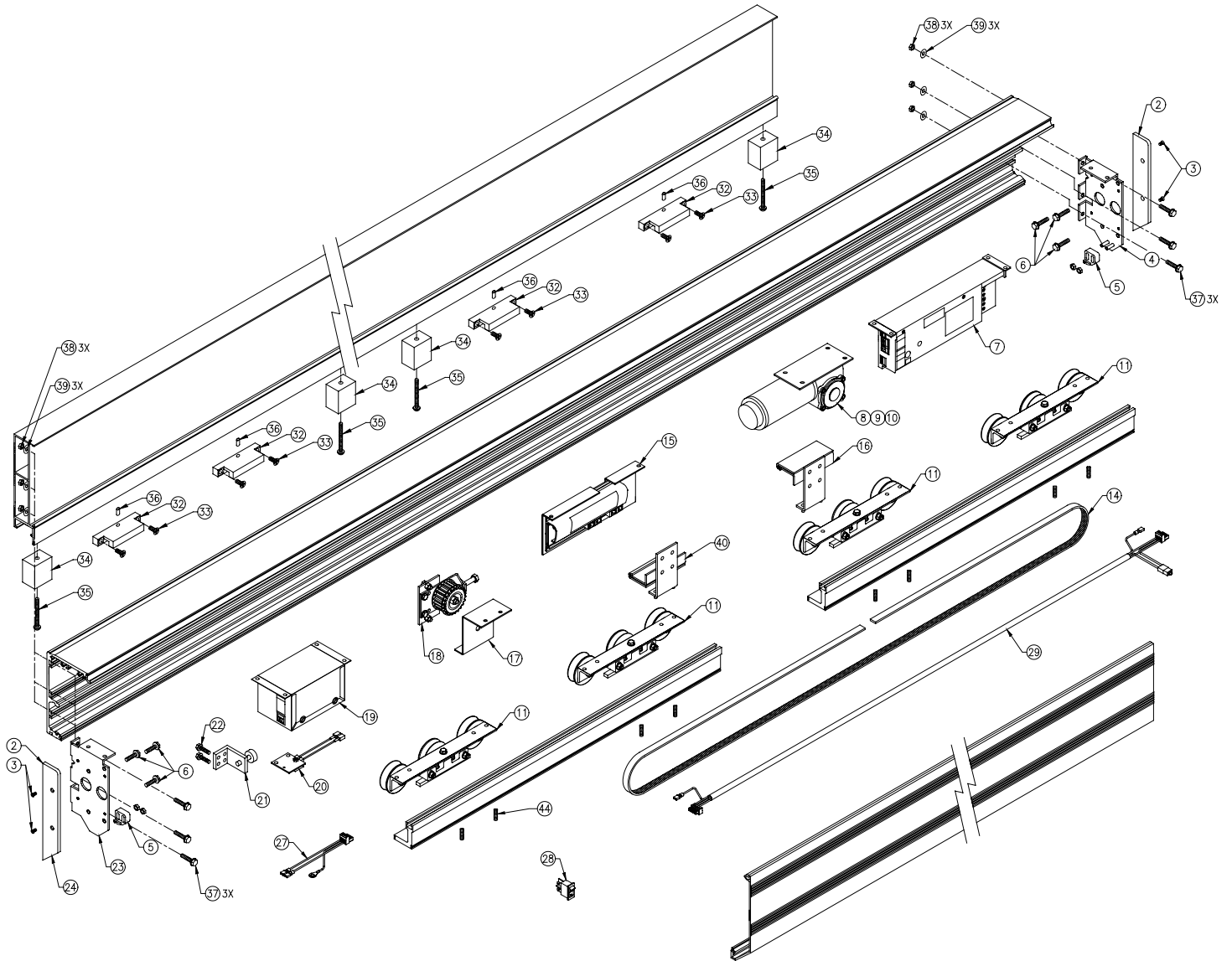
C. Hurricane Locks.

Ensure that 66519-600 Labels (Item 90) are installed at locations depicted in assembly drawings. Inform customer to engage locks in case of hurricane.

D. Set Screw Adjustment (Figure 1)

1. Complete standard installation. See manual 96000-984.
2. With doors fully closed, break out doors to expose access holes in carriers.
3. Turn screws clockwise until screws bottom out on carrier reinforcement blocks (Item 32, Figure 3).
4. Rotate counterclockwise one half turn.
5. Allow doors to size to ensure there is no interference with the carrier reinforcement blocks.

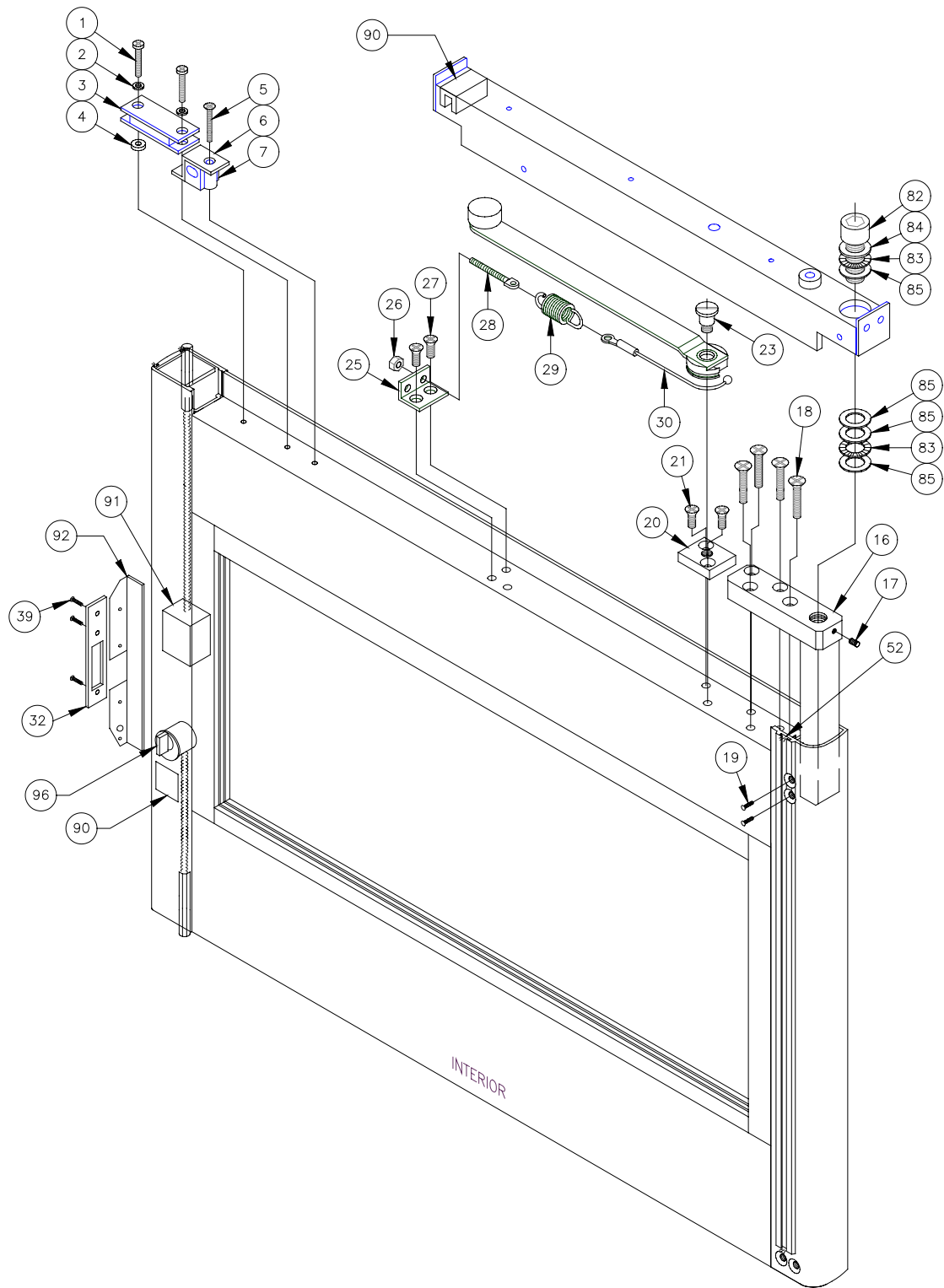
HEADER ASSEMBLY



See next page for part numbers
Figure 3

ITEM	PART No.	DESCRIPTION
2	96189-100	END CAP, RIGHT HAND
3	96076-600	END CAP SCREW
4	96122-000	END BRACKET, RIGHT HAND
5	96219-100	COVER LOCK
6	96077-600	HEADER MOUNT SCREW
7	96010-900	CONTROL BOX
8	96175-000	MOTOR & PLATE ASSEMBLY
9	96500-000	MOTOR & PLATE ASSEMBLY, FAIL SAFE
10	96550-000	MOTOR & PLATE ASSEMBLY, FAIL SECURE
11	96135-000	ROLLER ASSEMBLY
14	4204115297	BELTING
15	96185-000	PENCIL BEAM ASSEMBLY
16	96110-000	BELT CLAMP ASSEMBLY
17	96316-600	TENSIONER COVER
18	96105-000	TENSIONER ASSEMBLY
19	96005-900	TRANSFORMER BOX
20	96173-000	TERMINAL BLOCK ASSEMBLY
21	96125-000	BUMPER STOP ASSEMBLY
22	96133T614	M6x1 x 14mm HEX HEAD BOLT
23	96121-000	END BRACKET, LEFT HAND
24	96188-100	END CAP, LEFT HAND
27	96172-000	TRANSFORMER - SWITCH CABLE
28	76307-600	ROCKER SWITCH
29	96171X000	TRANSFORMER - CONTROL CABLE
32	96404-1XX	CARRIER REINFORCEMENT BLOCK
33	4299100747	1/4-20 X 3/4" FL PH HD SCREW (ZINC)
34	4204117250	BLOCK, MOUNTING FOR PANEL
35	4299100995	1/4-20 x 2 1/2" PHILLIPS SCREW
36	4299100129	PIN, 1/4 X 1" ROLL
37	96133T625	M6 X 1 X 25mm SCREW
38	95022T006	M6, NUT
39	4299100791	WASHER
40	96115-000	BELT CLAMP ASSY
44	96408-600	5/16-18 X 3/4 SET SCREW

ITEM	PART No.	DESCRIPTION
1	4299100780	#10-24 THREAD FORMING SCREW
2	4299100722	LOCK WASHER
3	4204101996	MAGNET
4	4204102005	SPACER
5	4299100779	#10-24 SELF-TAP SCREW
6	4204100708	BRACKET CLIP
7	4204100707	HANGER BLOCK
16	4204120520	COMPOSITE ARM ASSEMBLY
17	4299100690	1/4"-20 ALLEN SET SCREW
18	4204100655	5/16"-24 SOCKET CAP SCREW
19	4299100165	1/4"-20 FLAT HEAD SCREW
20	4204120521	SPACER BLOCK
21	4299100002	1/4"-20 FLAT HEAD SCREW
23	4204106609	SHOULDER SCREW, DOOR PANEL
25	4204104920	SPRING BRACKET
26	4299100258	1/4"-20 HEX NUT
27	4299100747	1/4"-20 THREAD FORMING SCREW
28	4204104925	SPRING DRAW SCREW
29	4204104921	EXTENSION SPRINGS
30	4204104922	CABLE ASSEMBLY
31	4204116070	DEAD LOCK ASSEMBLY
32	4204117089	FACE PLATE
33	4204102225	THRESHOLD BOLT
34	4204102224	ROD GUIDE
35	4204101382	THUMB TURN
36	4204101170	LOCKING CYLINDER
38	4299100776	#10-32 FLAT HEAD SCREW
39	4299101312	#8-32 FLAT HEAD SCREW
40	4299100753	#10-32 FLAT HEAD SCREW
41	4204100118	DOOR LOCK SHIM
82	4204101992	3/4"-10 SOCKET CAP SCREW
83	4204100087	NEEDLE THRUST BEARING
84	4204106888	CARRIER THRUST RACE WASHER
85	4204100088	THRUST RACE WASHER
90	66519-600	LABEL
95	4204120472	CARRIER BLOCK
96	4204120914	LOCK



See next page for part numbers
Figure 5

ITEM	PART No.	DESCRIPTION
1	4299100780	#10-24 THREAD FORMING SCREW
2	4299100722	LOCK WASHER
3	4204101996	MAGNET
4	4204102005	SPACER
5	4299100779	#10-24 SELF-TAP SCREW
6	4204100708	BRACKET CLIP
7	4204100707	HANGER BLOCK
16	4204120520	COMPOSITE ARM ASSEMBLY
17	4299100690	1/4"-20 ALLEN SET SCREW
18	4204100655	5/16"-24 SOCKET CAP SCREW
19	4299100165	1/4"-20 FLAT HEAD SCREW
20	4204120521	SPACER BLOCK
21	4299100002	1/4"-20 FLAT HEAD SCREW
23	4204106609	SHOULDER SCREW, DOOR PANEL
25	4204104920	SPRING BRACKET
26	4299100258	1/4"-20 HEX NUT
27	4299100747	1/4"-20 THREAD FORMING SCREW
28	4204104925	SPRING DRAW SCREW
29	4204104921	EXTENSION SPRINGS
30	4204104922	CABLE ASSEMBLY
82	4204101992	3/4"-10 SOCKET CAP SCREW
83	4204100087	NEEDLE THRUST BEARING
84	4204106888	CARRIER THRUST RACE WASHER
85	4204100088	THRUST RACE WASHER
90	4204120472	CARRIER BLOCK
91	4204120479	L/H DOOR LOCK ASS'Y
92	4204120480	ARMORED STRIKE
95	66519-600	LABEL
96	4204120914	LOCK